

NG POWER TERMINALS AND CONNECTORS

for the Automotive Industry

INNOVATIVE TECHNOLOGIES

TE Connectivity (TE) is a leader in automotive connectivity and sensor technology. Our engineers are always working to meet complex requirements. We connect every electronic function in the vehicle - from alternative power systems to infotainment and sensor technologies. Our technologies withstand harsh environments and tolerate high temperature, vibration, shock, pressure and long-life in electronic control systems.



INTERCONNECTION SYSTEMS

Our electrical and electronic interconnection products and solutions are used to electrically and mechanically connect wires and cables, printed circuit boards, integrated circuit packages, batteries and more ...



CABLE ASSEMBLIES

TE is your partner for vehicle-specific cable assemblies. We offer research and development capabilities, prototypes and samples, as well as manufacturing facilities.



HYBRID & ELECTRIC MOBILITY SOLUTIONS

Our technologies leverage decades of innovation and experience with high-voltage transmission and distribution. Our hybrid and electric mobility solutions include a complete line of connectors, terminals, sensors, cable assemblies, contactors, and battery connection protection to help safeguard the flow of power in hybrid and electric vehicles. Connection after connection, you can count on TE for smaller, greener, lighter and smarter solutions you can trust.



SENSOR SOLUTIONS

Data is critical for making vehicles safer, more connected and greener. Customers rely on our sensor technology to provide data for control, adaptation and response of vehicle functions and features that increase safety, comfort, efficiency, and more. We collaborate to provide solutions for demanding and harsh applications such as automated transmissions, engines, clutch, brake and exhaust. Our products can be found in vehicles traveling the world's roads and highways.





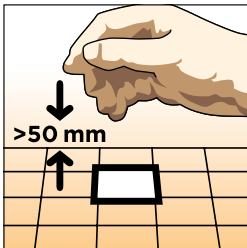

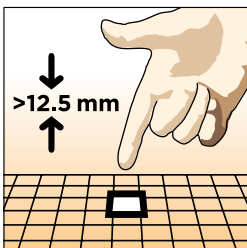
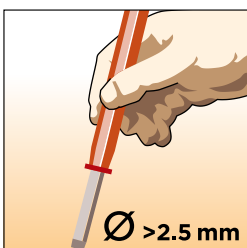
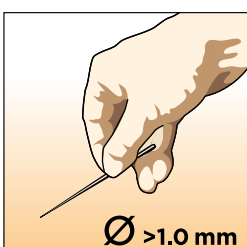
INFOTAINMENT


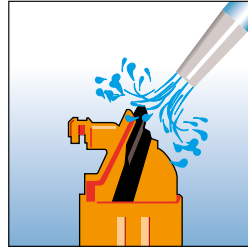
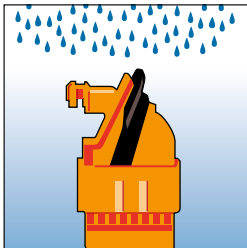

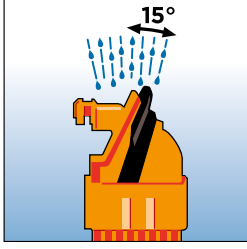
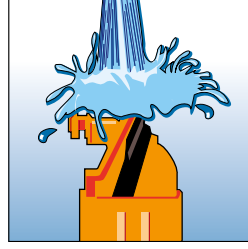
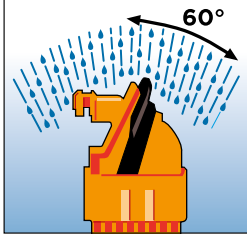
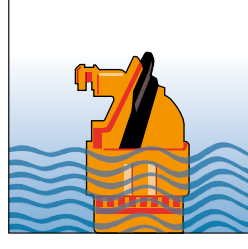
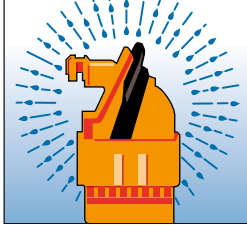
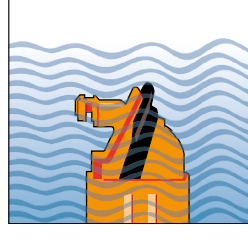
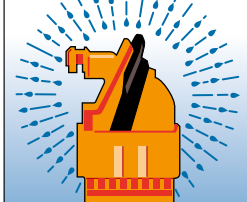

Our wide range of infotainment solutions are ideal for consumer port connections, high data rate applications, next-generation harness architecture, board-to-board connections and vehicle-to-vehicle communication.



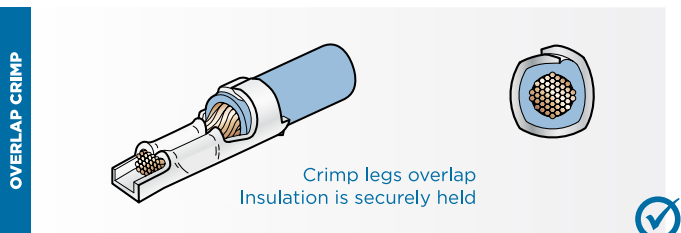
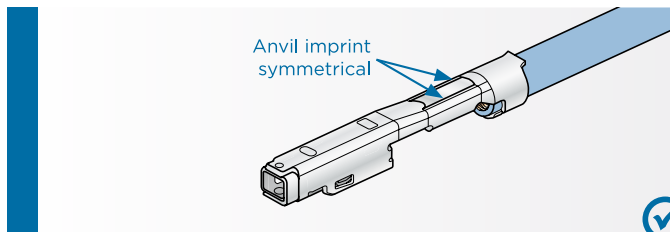
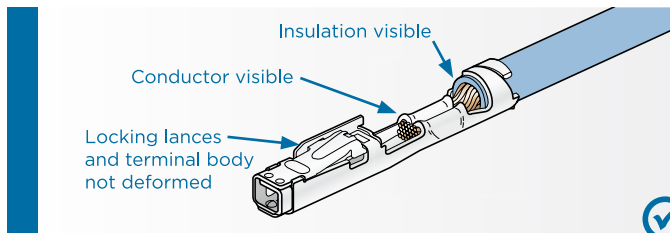
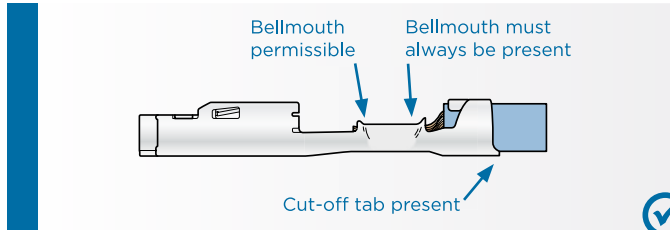
RELAYS

From passenger comfort and infotainment to higher DC voltages and power levels to harsh environments, our relays and contactors provide critical switching functions in multiple vehicle applications. With increased contact gaps and other key design features, our relays are ideal for harsh environments such as shock and vibration.

1st Digit	Against Foreign Objects (incl. Dust)	1st Digit	Against Foreign Objects (incl. Dust)
0	 <p>Not protected.</p>	5K	 <p>Dust protected.</p>
1	 <p>Protected against solid objects greater than 50 mm (ex. back of hand).</p>	6K	 <p>Dust tight.</p>
2	 <p>Protected against solid objects greater than 12.5 mm (ex. finger).</p>		
3	 <p>Protected against solid objects greater than 2.5 mm (ex. tool).</p>		
4	 <p>Protected against solid objects greater than 1.0 mm (ex. wire).</p>		

2nd Digit	Against Water	2nd Digit	Against Water
0	 <p>Not protected.</p>	5	 <p>Protected against jetting water.</p>
1	 <p>Protected against vertically dripping water.</p>	6	 <p>Protected against powerfully jetting water.</p>
2	 <p>Protected against dripping water when tilted up to 15°.</p>	6K	 <p>Protected against powerfully jetting water with increased pressure (Automotive).</p>
3	 <p>Protected against spraying water (up to 60° inclination).</p>	7	 <p>Protected against the temporary effects of immersion up to 1 meter.</p>
4	 <p>Protected against splashing water.</p>	8	 <p>Protected against continuous submersion agreed with customer, but more severe than code 7.</p>
4K	 <p>Protected against splashing water with increased pressure.</p>	9K	 <p>Protected against high-pressure/steam-jet cleaning (Automotive).</p>

Good Crimp Quality



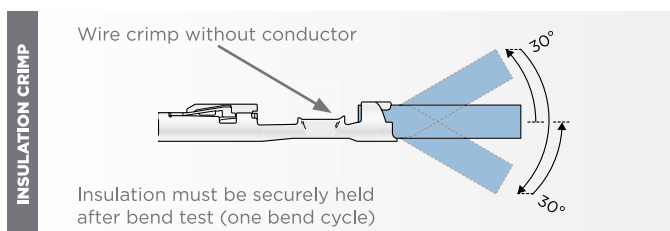
Test

WIRE CRIMP

Crimp heights and tolerances
For crimp height tolerances for any given contact, please refer to the relevant application specification.

Examples

Contact	P/N	Wire Range	Tolerance	Spec.
JJPT	927775	0.50-1.00 mm ²	±0.05 mm	114-18050
JPT	927773	1.50-2.50 mm ²	±0.05 mm	114-18050
MQS	962885	0.20-0.50 mm ²	±0.03 mm	114-18025



WIRE CRIMP

Digital crimp height micrometer (0.001 mm increments) according to DIN ISO 9001
Part number: 547203-1

Incorrect Crimp Quality

<p>Terminal body damaged</p>	<p>F-CRIMP</p>	<p>Crimp legs are not closed</p> <p>Insulation is pierced</p>
<p>Single core crimped on terminal</p>	<p>INSULATION CRIMP OVERLAP CRIMP</p>	<p>Crimp legs do not overlap</p> <p>Insulation is pierced</p>
<p>Terminal twisted</p>	<p>WRAP OVER CRIMP</p>	<p>Insulation is not securely held</p> <p>Insulation is over crimped</p>
<p>Cut off tab too long</p>	<p>Conductor brush protrudes into terminal body</p> <p>Insulation inside the wire crimp</p>	
<p>Crimp barrel distorted</p>	<p>Wire bent</p>	
<p>Terminal bent</p>	<p>Terminal bent</p>	

Correct
Incorrect
Test

At TE Connectivity, we support your RoHS requirements. We've assessed more than 1.5 million end items/components for RoHS compliance, and issued new part numbers where any change was required to eliminate the restricted materials. Part numbers in this catalog are identified as:

Getting the information you need

Our comprehensive on-line RoHS Customer Support Center provides a forum to answer your questions and support your RoHS needs. A RoHS FAQ (Frequently Asked Questions) is available with links to more detailed information. You can also submit RoHS questions and receive a response within 24 hours during a normal work week.

The Support Center also provides:

Cross-Reference from Non-compliant to Compliant Products

Ability to browse RoHS Compliant Products in our on-line catalog:
www.te.com/commerce/alt/RohsAltHome.do

Downloadable Technical Data Customer Information Presentation

More detailed information regarding the definitions used above

RoHS Compliant

Part numbers in this catalog are RoHS Compliant, unless marked otherwise. These products comply with European Union Directive 2002/95/EC as amended 1 January 2006 that restricts the use of lead, mercury, cadmium, hexavalent chromium, PBB, and PBDE in certain electrical and electronic products sold into the EU as of 1 July 2006.

Note: For purposes of this Catalog, included within the definition of RoHS Compliant are products that are clearly "Out of Scope" of the RoHS Directive such as hand tools and other non-electrical accessories.

Non-RoHS Compliant

These part numbers are identified with a "t" symbol. These products do not comply with the material restrictions of the European Union Directive 2002/95/EC.

5 of 6 Compliant

A "I" symbol identifies these part numbers. These products do not fully comply with the European Union Directive 2002/95/EC because they contain lead in solderable interfaces (they do not contain any of the

other five restricted substances above allowable limits). However, these products may be suitable for use in RoHS applications where there is an application-based exception for lead in solders, such as the server, storage, or networking infrastructure exemption.

Note: Information regarding RoHS compliance is provided based on reasonable inquiry of our suppliers and represents our current actual knowledge based on the information provided by our suppliers. This information is subject to change. For latest compliance status, refer to our website referenced below. So whatever your questions when it comes to RoHS, we've got the answers at <http://www.te.com/customersupport/rohssupportcenter/>

Conversion Tables
AWG Conversion Table (Average Value)

AWG Code	Diameter (Inch)	Diameter (mm)	F (mm ²)
000000	0.5800	14.733	170.0
00000	0.5165	13.13	135.0
0000	0.4600	11.684	103.8
000	0.4096	10.40	79.0
00	0.3648	9.27	67.5
0	0.3249	8.25	53.4
1	0.2893	7.34	42.2
2	0.2576	6.55	33.7
3	0.2294	5.82	26.6
4	0.2043	5.18	21.0
5	0.1819	4.62	16.9
6	0.1620	4.115	13.25
7	0.1443	3.66	10.25
8	0.1285	3.26	8.34
9	0.1144	2.90	6.6
10	0.1019	2.59	5.27
11	0.0907	2.30	4.15
12	0.0808	2.05	3.3
13	0.0720	1.83	2.63
14	0.0641	1.63	2.08
15	0.0571	1.45	1.65
16	0.0508	1.29	1.305
17	0.0453	1.14	1.01
18	0.0403	1.02	0.79
19	0.0359	0.91	0.65
20	0.0320	0.81	0.51
21	0.0285	0.72	0.407
22	0.0253	0.64	0.32
23	0.0226	0.57	0.255
24	0.0201	0.51	0.205
25	0.0179	0.455	0.162
26	0.0159	0.40	0.125
27	0.0142	0.36	0.102
28	0.0126	0.320	0.08
29	0.0113	0.287	0.0646
30	0.0100	0.254	0.0516
31	0.0089	0.226	0.04
32	0.0080	0.203	0.0324
33	0.0071	0.180	0.0255
34	0.0063	0.160	0.02
35	0.0056	0.142	0.0158
36	0.0050	0.127	0.0127
37	0.0045	0.114	0.01
38	0.0040	0.101	0.008
39	0.0035	0.089	0.0062
40	0.0031	0.079	0.0049
41	0.0028	0.071	0.00395
42	0.0025	0.064	0.00321
43	0.0022	0.056	0.00246
44	0.00198	0.050	0.00196
45	0.00176	0.045	
46	0.00157	0.040	
47	0.00140	0.036	
48	0.00124	0.031	
49	0.00110	0.028	
50	0.00099	0.025	

Remark: Starting from 0.03 mm² (AWG 32) a wire can be crimped.

**NG Power
Terminals and
Connectors**

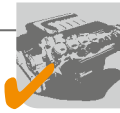
	Page	Powertrain Systems	Safety & Security Systems	Convenience	Driver Information	Body & Chassis Systems
NG Power Terminals and Connectors						
Introduction	1					
Low Insertion Force 8.0mm Terminals						
NG1 Receptacle Contacts	2	•	•	•	•	•
NG1 Tab Contacts	3	•	•	•	•	•
NG1Plus Receptacles and Seals	4 - 5	•	•	•	•	•
NG1Plus Tabs and Seals	6 - 7	•	•	•	•	•
Low Insertion Force 6.35mm Terminals						
NG1 Receptacle Contacts	8	•	•	•	•	•
NG1 Tab Contacts	9	•	•	•	•	•
2.8mm NGP Terminals						
2.8mm NGP Receptacle Unsealed Applications	10	•	•	•	•	•
2.8mm NGP Receptacle Sealed and Unsealed Applications	10	•	•	•	•	•
Single Wire Seals	10	•	•	•	•	•
Overview NG Connector 8.0mm						
Connectors	12	•	•	•	•	•
1- and 2-way NG1 8mm Family	13	•	•	•	•	•
Sealed/Unsealed Power Housings						
1 Position 8.0mm NG1 Receptacle Housing	14	•	•	•	•	•
1 Position 8.0mm NG1 Receptacle Housing, Generation 2, with CPA	15	•	•	•	•	•
1 Position 8.0mm NG1 Receptacle Housing	16	•	•	•	•	•
1 Position 8.0mm NG1 Tab Housing	17	•	•	•	•	•
2 Position 8.0mm NG1 Receptacle Housing, with Skirt, with/without CPA	18	•	•	•	•	•
2 Position 8.0mm NG1 Receptacle Housing, without Skirt, with/without CPA	19	•	•	•	•	•
2 Position 8.0mm NG1Plus Receptacle Housing	20	•	•	•	•	•
2 Position 8.0mm NG1 Receptacle Housing, with Skirt, with/without CPA	21	•	•	•	•	•
2 Position 8.0mm NG1 Receptacle Housing, without Skirt, with/without CPA	22	•	•	•	•	•

**Automotive
Power
Distribution**

	Page	Powertrain Systems	Safety & Security Systems	Convenience	Driver Information	Body & Chassis Systems
NG Power Terminals and Connectors						
Sealed/Unsealed Power Housings						
2 Position 8.0mm NG1 Receptacle Connector with Slide	23	•	•	•	•	•
2 Position Insulated 8.0mm NG1 Receptacle Housing – Sealed by Position – without CPA	24	•	•	•	•	•
2 Position 8.0mm NG1 Tab Housing	26	•	•	•	•	•
2 Position 8.0mm NG1Plus Tab Housing	27	•	•	•	•	•
2 Position 8.0mm NG1 Receptacle Assembly (Interface for 8 Postion TH0.635)	28	•	•	•	•	•
2 Position 8.0mm NG1 Tab Assembly (Interface for 8 Postion TH0.635)	29	•	•	•	•	•
6 Position 2.8mm NGP and 1.5mm Header with Slider	30	•	•	•	•	•
Lamp Housing	32	•	•	•	•	•
2 Position 6.35mm NG1 Receptacle Connector	33	•	•	•	•	•
3 Position 6.35mm NG1 Tab Connector	34	•	•	•	•	•
4 Position 6.35 NG1 Receptacle Connector	35	•	•	•	•	•
4 Position 6.35 NG1 Tab Connector	36	•	•	•	•	•
5 Position 6.35 NG1 Receptacle Connector	37	•	•	•	•	•
Low Insertion Force 6.35mm Terminals						
Flag Terminal Receptacles	38	•	•	•	•	•
Application Tooling	39					
Numerical Index	41					
TE Connectivity online	42					
Global Contacts	43					
Imprint	43					



POWERTRAIN SYSTEMS



SAFETY & SECURITY SYSTEMS



CONVENIENCE



DRIVER INFORMATION



BODY & CHASSIS SYSTEMS



NG Power Terminals and Connectors

INTRODUCTION

The NG family offers you terminals and housings for sealed and unsealed power applications such as

- Electrical steering pump
- Engine cooling fan system
- Engine/Convenience fuse box

Different blade sizes are available in order to cover most of the power applications in a car:

- NGP: 2.8mm
- NG: 6.3mm
- NG1 and NG1+: 8.00mm

Applications

- Power supply
- Fuse and Relay Box
- Protection and switching devices
- Wire to wire connection

Key Features

- One piece design terminal family
- Sealed and unsealed version
- Power terminal and connector
- Optional CPA
- Large wire range
 - NGP 2.8 (0.5 - 6.00 mm²)
 - NG1 8.00 (3.0 - 10.0 mm²)
- High reliability
- Same terminal for sealed and unsealed application (8.00mm)

NG1 Receptacle Contacts

Applications

- Sealed power connectors
- Engine harness
- Cockpit harness
- Fuse box

Technical Features

- High current capacity
- Compatible with single wire sealing
- Reversible in housing cavity

Contact Resistance:

<2 mΩ

Current capacity for 40° C rise in T° for Micro Alloy Copper receptacle:

3.0mm² = 33 A

6.0mm² = 42 A

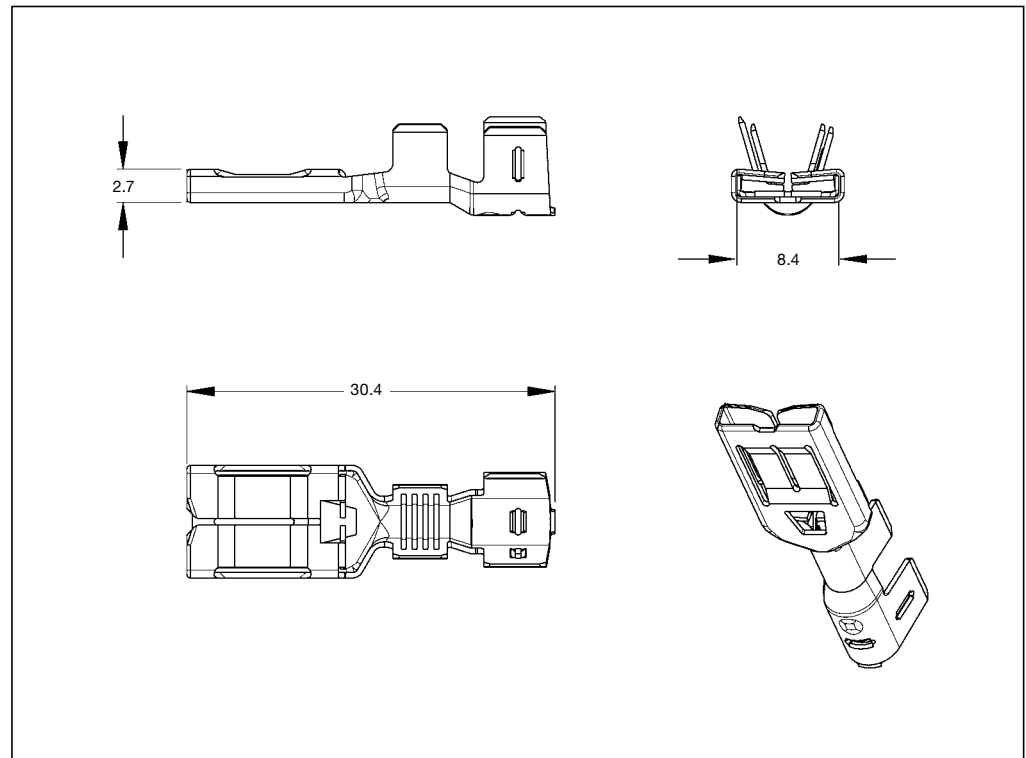
10.0mm² = 55 A

Insertion Force:

<30 N

Withdrawal Force:

<30 N



NG1 Receptacle Contacts

Wire Size Range mm ² (AWG)	Insulation Diameter		Material and Finish	Part Numbers			
	FLK mm (Inch)	FLR mm (Inch)		Strip Form	Package Quantity	Applicator ♦)	Hand Tool with Die Set
3.0-6.0 (12-10)	3.0-6.0 (.126-.173)	-	Micro Alloy Copper, Sn	1544107-1*	3,900	2836051-x	-
				1544227-1		2151853-x	Tool Frame 1579000-5 Die Set 8-1579001-5
7.0-10.0 (9-7)	4.9-6.0 (.193-.237)	-	Micro Alloy Copper, Sn	1544106-1*	2,700	2266164-x	-
				1544228-1			

Notes:

♦) Applicators not recommended for all terminators. Please check press compatibility for wire size.

*) Tab Dimension = 8.0 x 0.8mm

NG1 Seals

Wire Size Range mm ² (AWG)	Insulation Diameter		Material and Finish	Part Numbers	
	FLK mm (Inch)	FLR mm (Inch)		Strip Form	Package Quantity
3.0-6.0 (12-10)	-	-	Silicon, Green	1544316-1	18,000
7.0-10.0 (9-7)	-	-	Silicon, Orange	1544316-2	

NG1 Cavity Plugs

Wire Size Range mm ² (AWG)	Insulation Diameter		Material and Finish	Part Numbers	
	FLK mm (Inch)	FLR mm (Inch)		Strip Form	Package Quantity
-	-	-	Silicon, White	1544316-3	18,000

NG1 Tab Contacts

Applications

- Sealed power connectors
- Engine harness
- Cockpit harness
- Fuse box

Technical Features

- High current capacity
- Compatible with single wire sealing
- Reversible in housing cavity

Contact Resistance:

<2 mΩ

Current capacity for 40° C rise in T° for Micro Alloy Copper receptacle:

3.0 mm² = 30 A

6.0 mm² = 41 A

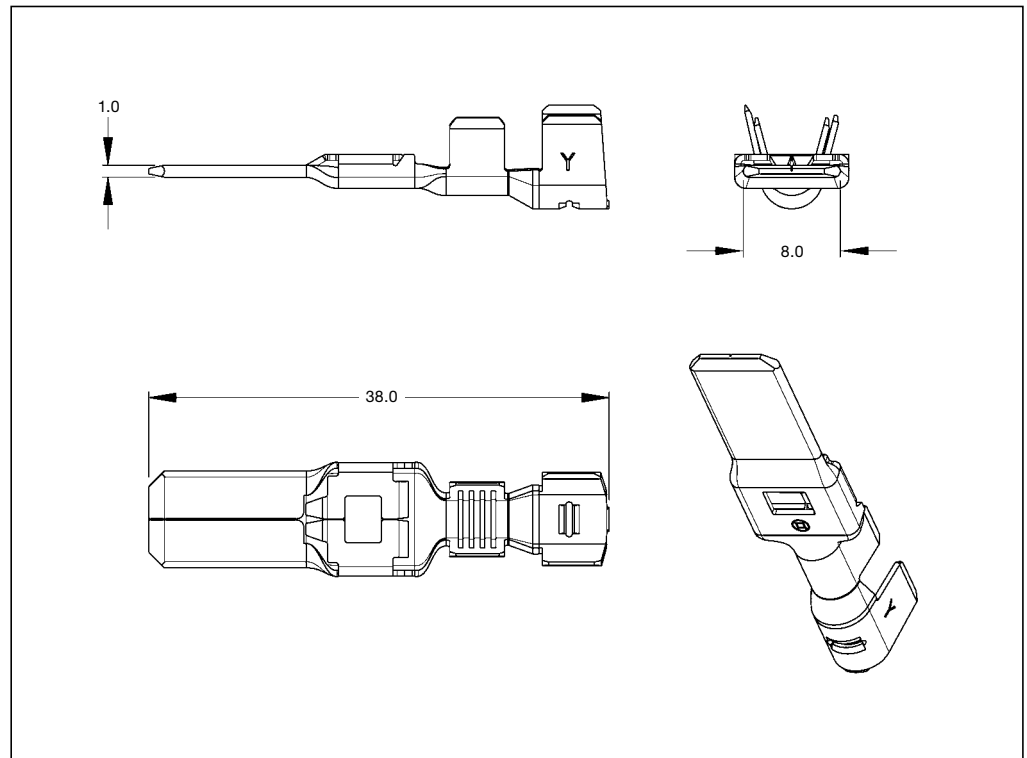
10.0 mm² = 55 A

Insertion Force:

<30 N

Withdrawal Force:

<30 N



NG1 Tab Contacts

Wire Size Range mm ² (AWG)	Insulation Diameter		Material and Finish	Part Numbers			Hand Tool with Die Set
	FLK mm (Inch)	FLR mm (Inch)		Strip Form	Package Quantity	Applicator ♦)	
3.0-6.0 (12-10)	–	3.35-4.1 (.132-.261)	Brass / Sn	1544332-1	2,200	2151927-x	Tool frame 1579000-5 Die Set 8-1579001-5
7.0-10.0 (9-7)	–	4.9-5.9 (.193-.232)	Brass / Sn	1544333-1	1,700	2836052-x	–

Note:

♦) Applicators not recommended for all terminators. Please check press compatibility for wire size.

NG1 Seals

Wire Size Range mm ² (AWG)	Insulation Diameter		Material and Finish	Part Numbers	
	FLK mm (Inch)	FLR mm (Inch)		Strip Form	Package Quantity
3.0-6.0 (12-10)	–	–	Silicon, Green	1544316-1	18,000
7.0-10.0 (9-7)	–	–	Silicon, Orange	1544316-2	

NG1 Cavity Plugs

Wire Size Range mm ² (AWG)	Insulation Diameter		Material and Finish	Part Numbers	
	FLK mm (Inch)	FLR mm (Inch)		Strip Form	Package Quantity
–	–	–	Silicon, White	1544316-3	18,000

NG1Plus Receptacles and Seals

Applications

- Cockpit harness
- Engine harness
- Fuse box and relay holder
- Sealed power connector

Technical Features

- Low insertion force
- Reversible at 180° in the housing cavity

Initial contact resistance:
<2 mΩ

Max. admissible Temperature:
150° C for SnAg or Ag plated

Current Capacity for 40° C rise in T°:

- 4.0 mm² = 40 A
- 5.0 mm² = 45 A
- 6.0 mm² = 49 A
- 7.0 mm² = 58 A
- 10.0 mm² = 67 A

Vibration Class:

- 3 g for Sn plated
- 10 g for SnAg plated
- 25 g for Ag plated

Crimping Wire Range:

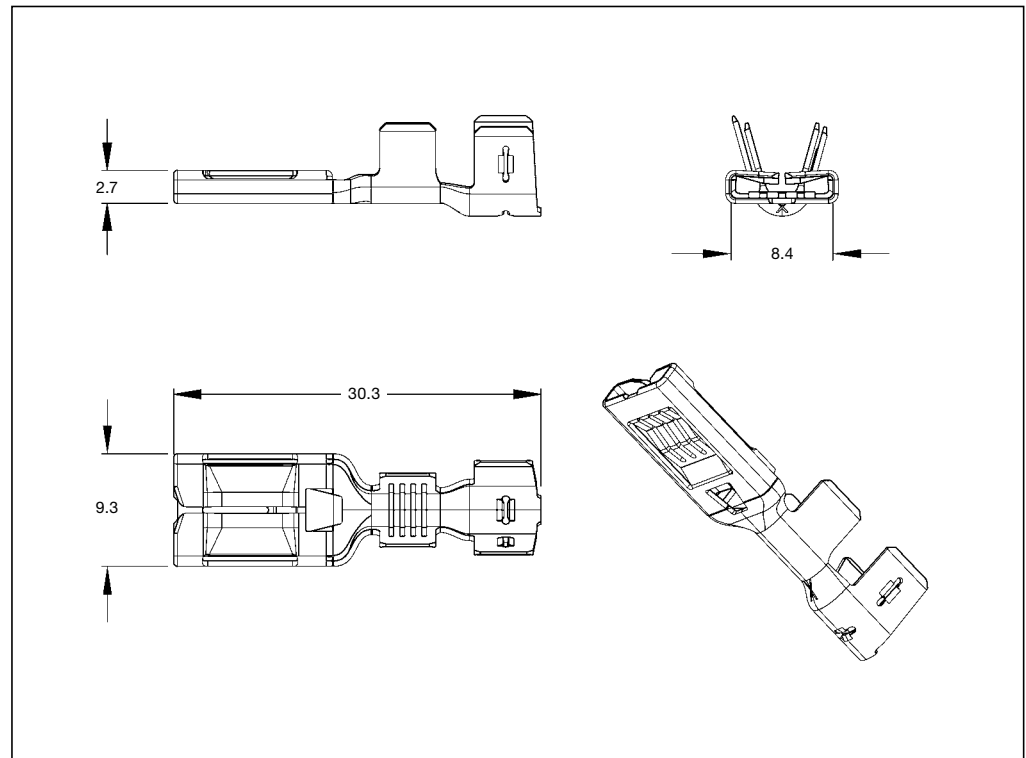
2.5mm² to 10mm²
(sealed and unsealed)

Insertion Force

Receptacle Terminal and Tab:
<25 N

Withdrawal Force/Tab:

<25 N



NG Power Terminals and Connectors

Low Insertion Force 8.0mm Terminals

NG1Plus Receptacles and Seals (continued)

NG1Plus Receptacles

Wire Size Range mm ² (AWG)	Insulation Diameter		Material and Finish	Strip Form	Part Numbers		
	FLK mm (Inch)	FLR mm (Inch)			Package Quantity	Applicator [♦]) with seal, without seal	Hand Tool with Die Set
2.5-4.0 (14-12)	-	2.65-3.90 (.104-.154)	Micro Alloy Copper, SnAG	1544964-1	3,900	2836053-x	-
			Micro Alloy Copper, AG	1544964-2		2836053-x	
			Micro Alloy Copper, SnAG	1801431-1*		2266645-x	
5.0-6.0 (11-10)	-	3.7-4.5 (.146-.177)	Micro Alloy Copper, SnAG	1544965-1	3,900	2151951-x	-
			Micro Alloy Copper, AG	1544965-2		2151951-x	
			Micro Alloy Copper, SnAG	1801432-1*		2266646	
7.0-10.0 (9-7)	-	4.3-6.0 (.169-.236)	Micro Alloy Copper, SnAG	1544966-1	2,700	2836054	-
			Micro Alloy Copper, AG	1544966-2		2836054	
			Micro Alloy Copper, SnAG	1801433-1*		2266647	

Note:

For all Part Numbers of Receptacles, Standard Tab Dimension = 8.0 x 1.0mm

♦) Applicators not recommended for all terminators. Please check press compatibility for wire size.

*) Tab Dimension = 8.0 x 0.8mm

NG9K Seals

Wire Size Range mm ² (AWG)	Insulation Diameter		Material and Finish	Part Numbers	
	FLK mm (Inch)	FLR mm (Inch)		Loose Piece	Package Quantity
2.5-5.0 (14-11)		2.65-4.00 (.104-.157)	Silicon, Brown	1544970-1	
6.0-7.0 (10-9)	-	4.1-5.0 (.161-.197)	Silicon, Blue	1544970-2	8,000
10.0 (7)		6.0 max. (.236 max.)	Silicon, Yellow	1544970-3	

NG1Plus Cavity Plug

Wire Size Range mm ² (AWG)	Insulation Diameter		Material and Finish	Part Numbers	
	FLK mm (Inch)	FLR mm (Inch)		Loose Piece	Package Quantity
-	-	-	Silicon, White	1544970-4	8,000

NG1Plus Tabs and Seals

Applications

- Cockpit harness
- Engine harness
- Fuse box and relay holder
- Sealed power connector

Technical Features

- Low insertion force
- Reversible at 180° in the housing cavity
- Initial contact resistance <2 mΩ

Max. admissible Temperature:

150° C for SnAg or Ag plated

Current Capacity for

40° C rise in T°:

4.0 mm² = 40 A

5.0 mm² = 45 A

6.0 mm² = 49 A

7.0 mm² = 58 A

10.0 mm² = 67 A

Vibration Class:

3 g for Sn plated

10 g for SnAg plated

25 g for Ag plated

Crimping Wire Range:

2.5mm² to 10mm²

(sealed and unsealed)

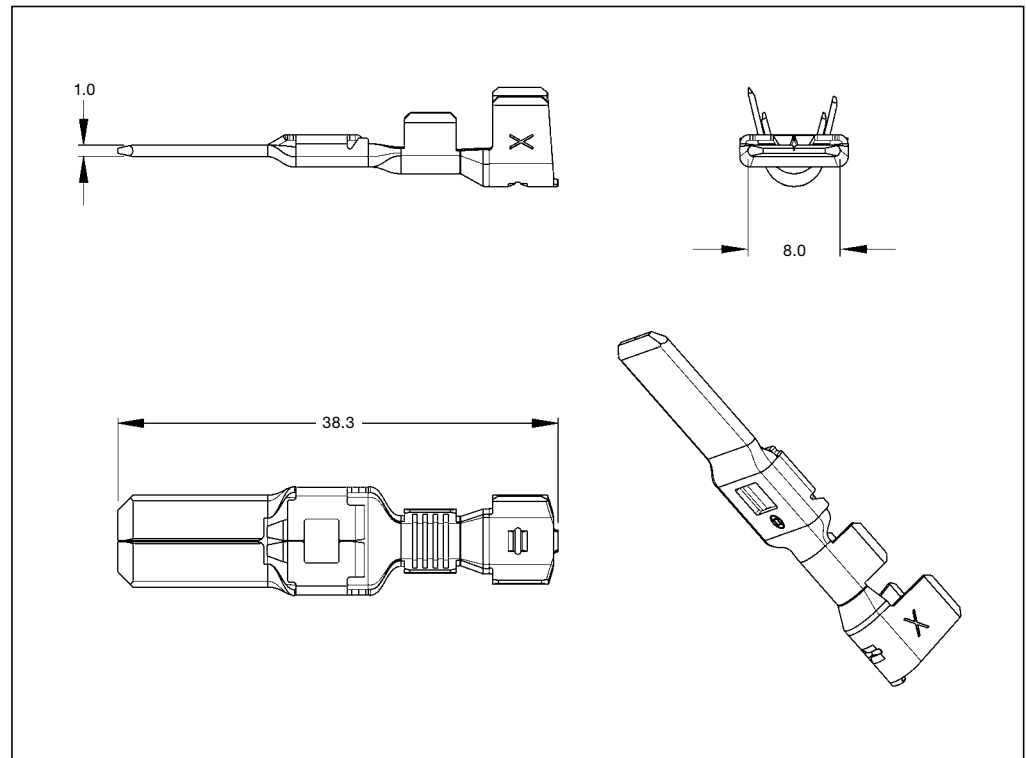
Insertion Force:

Receptacle Terminal and Tab:

<25 N

Withdrawal Force/Tab:

<25 N



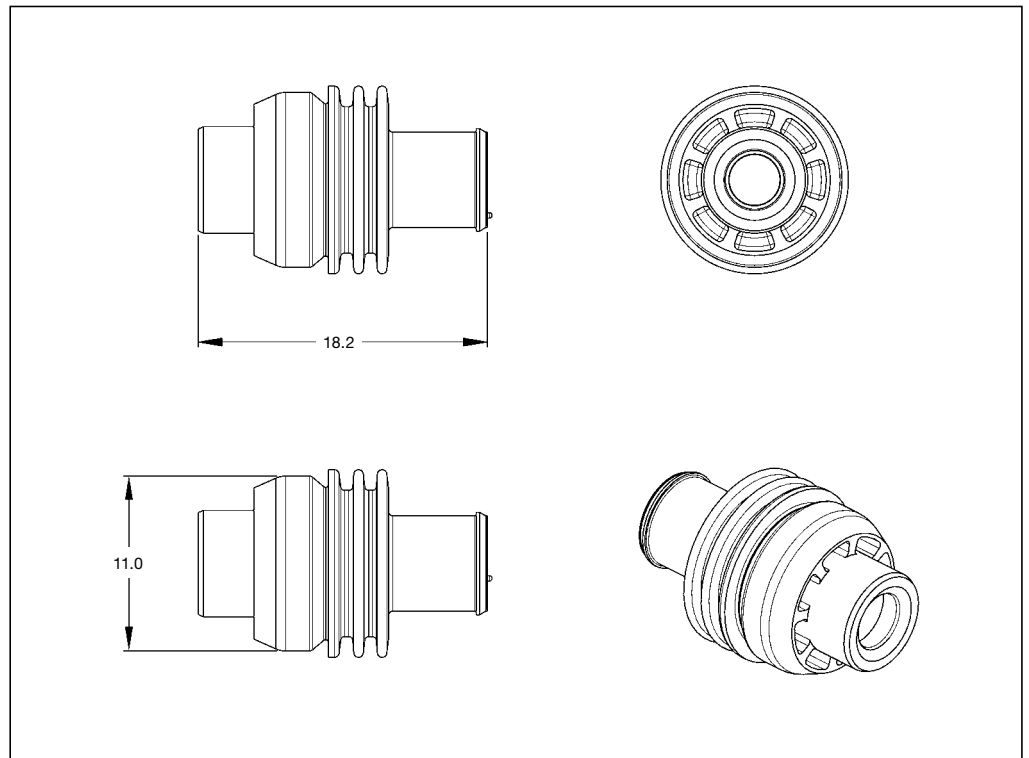
NG1Plus Tabs

Wire Size Range mm ² (AWG)	Insulation Diameter		Material and Finish	Part Numbers			Hand Tool with Die Set
	FLK mm (Inch)	FLR mm (Inch)		Strip Form	Package Quantity	Applicator *)	
2.5-4.0 (14-12)	-	2.65-3.90 (.104-.154)	Micro Alloy Copper, SnAG	1544967-1	2,200	2836055-x	-
			Micro Alloy Copper, AG	1544967-2			
5.0-6.0 (11-10)	-	3.7-4.5 (.146-.177)	Micro Alloy Copper, SnAG	1544968-1	2,200	2266583-x	-
			Micro Alloy Copper, AG	1544968-2			
7.0-10.0 (9-7)	-	4.3-6.0 (.169-.236)	Micro Alloy Copper, SnAG	1544969-1	1,700	2836056-x	-
			Micro Alloy Copper, AG	1544969-2			

*) Applicators not recommended for all terminators. Please check press compatibility for wire size.

NG Power Terminals and Connectors Low Insertion Force 8.0mm Terminals

NG1Plus Tabs and Seals (continued)



NG9K Seals

Wire Size Range mm ² (AWG)	Insulation Diameter		Material and Finish	Part Numbers	
	FLK mm (Inch)	FLR mm (Inch)		Loose Piece	Package Quantity
2.5-5.0 (14-11)		2.65-4.00 (.104-.157)	Silicon, Brown	1544970-1	
6.0-7.0 (10-9)	-	4.1-5.0 (.161-.197)	Silicon, Blue	1544970-2	8,000
10.0 (7)		6.0 max. (.236 max.)	Silicon, Yellow	1544970-3	

NG1Plus Cavity Plug

Wire Size Range mm ² (AWG)	Insulation Diameter		Material and Finish	Part Numbers	
	FLK mm (Inch)	FLR mm (Inch)		Loose Piece	Package Quantity
-	-	-	Silicon, White	1544970-4	8,000

NG1 Receptacle Contacts

Applications

- 3, 4 and 5 position connectors
- Cockpit harness

Technical Features

- Low insertion force
- Reversible in housing cavity

Contact Resistance:

<2 mΩ

Current capacity for 40° C rise in T°:

3.0mm² = 34 A

4.0mm² = 38 A

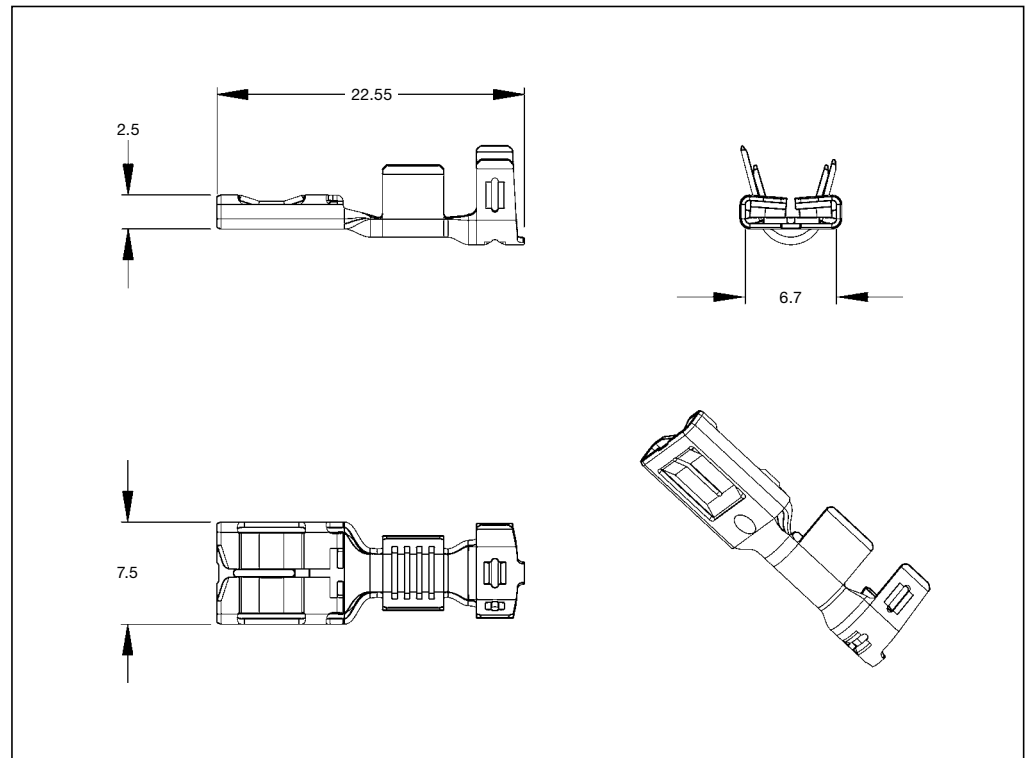
6.0mm² = 46 A

Insertion Force:

<15 N

Withdrawal Force:

<15 N



NG1 Receptacle Contacts

Wire Size Range mm ² (AWG)	Insulation Diameter		Material and Finish	Part Numbers			
	FLK mm (Inch)	FLR mm (Inch)		Strip Form	Package Quantity	Applicator	Hand Tool with Die Set
0.35-0.75 (22-19)	-	1.25-1.8 (.050-.071)	Brass, Sn	1544615-1	8,000	2266075-x	-
2.5-6.0 (14-10)	3.2-4.4 (.126-.173)	2.8-4.1 (.111-.161)	Micro Alloy Copper, Sn	1544133-1	5,100	2266020-x	-

NG1 Tab Contacts

Applications

- 3, 4 and 5 position connectors
- Convenience and engine harness

Technical Features

- Low insertion force
- Reversible in housing cavity

Contact Resistance:

<2 mΩ

Current capacity for 40° C rise in T°:

3.0mm² = 34 A

4.0mm² = 38 A

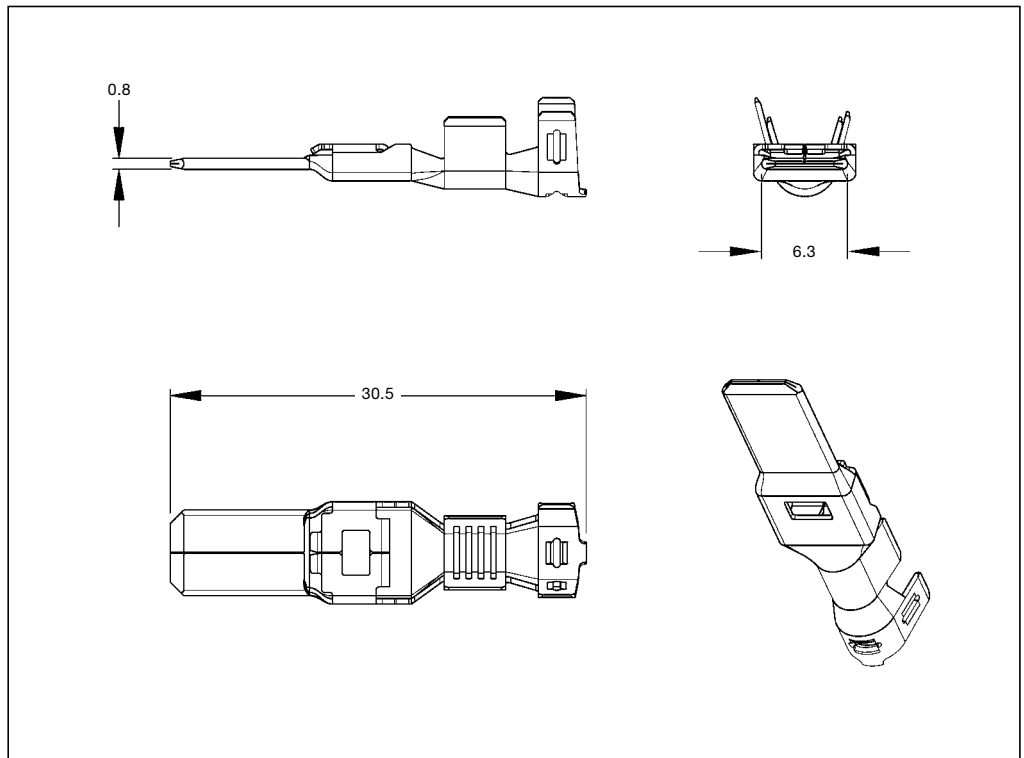
6.0mm² = 46 A

Insertion Force:

<15 N

Withdrawal Force:

<15 N



NG1 Tab Contacts

Wire Size Range mm ² (AWG)	Insulation Diameter		Material and Finish	Part Numbers			
	FLK mm (Inch)	FLR mm (Inch)		Strip Form	Package Quantity	Applicator	Hand Tool with Die Set
2.5-6.0 (14-10)	3.2-4.4 (.126-.173)	2.8-4.1 (.111-.161)	Micro Alloy Copper, Sn	1544218-1	5,100	2266158-x	-

Receptacles

Applications

- Cockpit harness
- Engine harness
- Fuse and relay holder
- Sealed power connector

Technical Features

- Low insertion force
- Reversible at 180° C in the housing cavity

Initial Contact Resistance:

<2 mΩ

Current capacity for

40° C rise in T°:

6.0mm² = 40 A

Max. admissible Temperature:

150° C

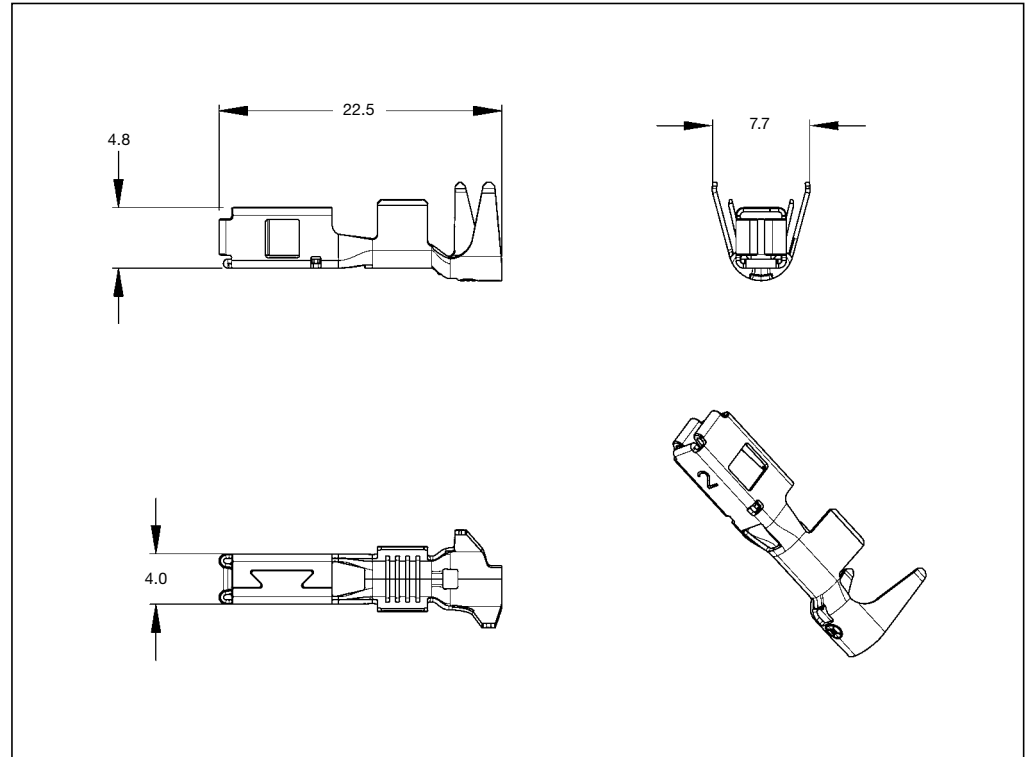
Vibration Class:

3 g

Crimping Wire Range:

2.5-6.0mm²

(sealed and unsealed)



2.8 NGP Receptacle Unsealed Applications

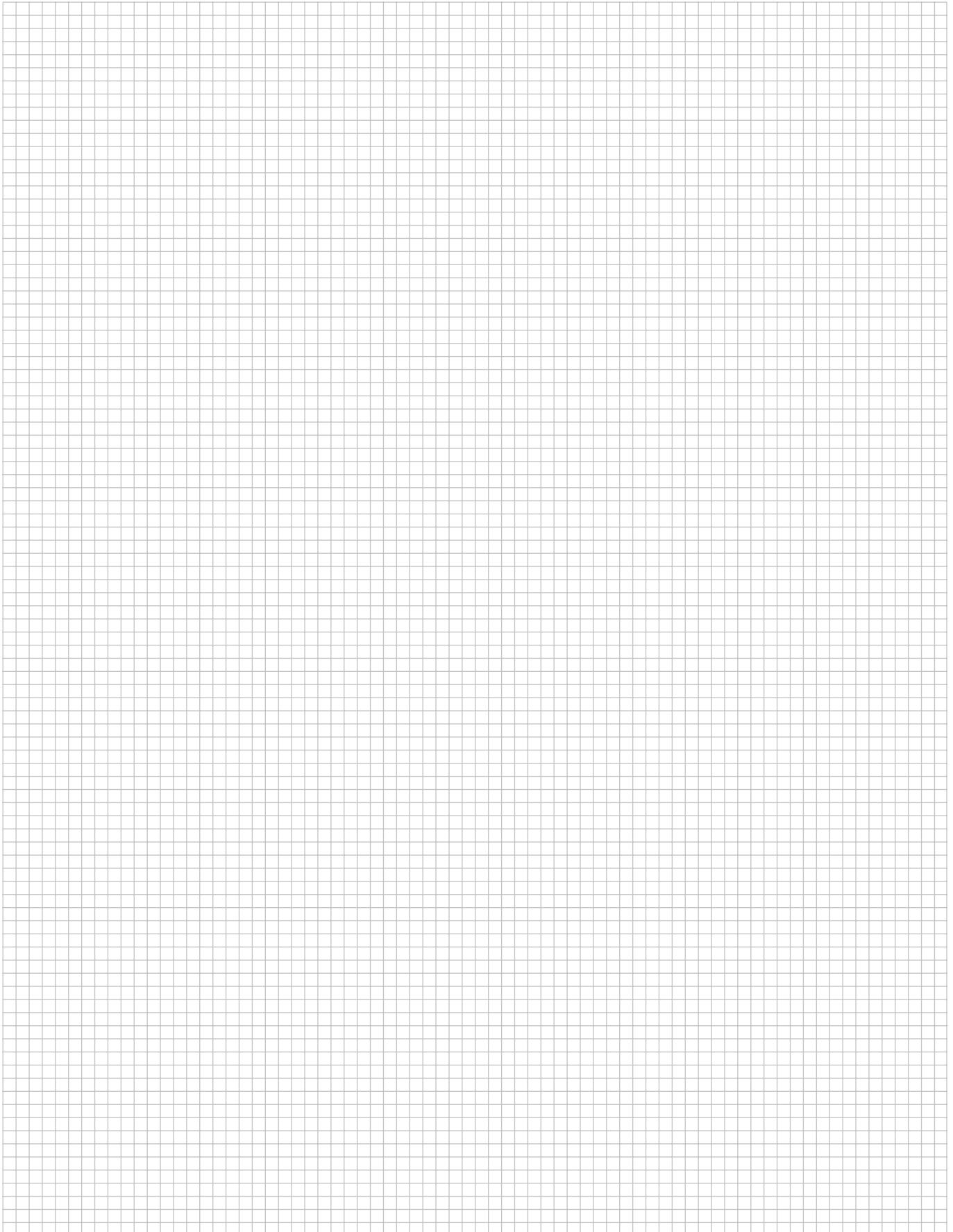
Wire Size Range mm ² (AWG)	Insulation Diameter		Material and Finish	Part Numbers			Hand Tool with Die Set
	FLK mm (Inch)	FLR mm (Inch)		Strip Form	Package Quantity	Applicator	
0.5 - 0.75 (20- 18)	-	-	Micro Alloy Copper, SnAg	1801459-1	8,000	2836057	-

2.8 NGP Receptacle Sealed and Unsealed Applications

Wire Size Range mm ² (AWG)	Insulation Diameter		Material and Finish	Part Numbers			Hand Tool with Die Set
	FLK mm (Inch)	FLR mm (Inch)		Strip Form	Package Quantity	Applicator	
2.5-4.0 (14-12)	-	2.8-3.5 (.111-.138)	Micro Copper Alloy, SnAg	1544555-1	6,000	2836058-x	-
5.0-6.0 (11-10)	-	3.8-4.5 (.149-.177)		1544940-1	5,100	2836059-x	-

Single Wire Seals






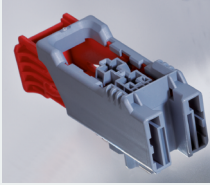

Wire Size Range mm ² (AWG)	Insulation Diameter		Material and Finish	Part Numbers	
	FLK mm (Inch)	FLR mm (Inch)		Strip Form	Package Quantity
2.5-4.0 (14-12)	-	2.65-3.9 (.104-.154)	Silicon	1544941-1	30,000
2.5-4.0 (14-12)	-	2.8-3.5 (.111-.138)		967608-1	
5.0-6.0 (11-10)	-	3.8-4.5 (.149-.177)		1544941-2	



NG Power Terminals and Connectors


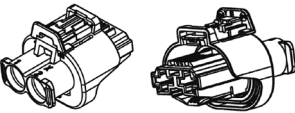
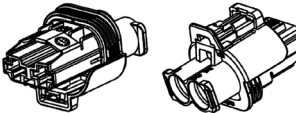
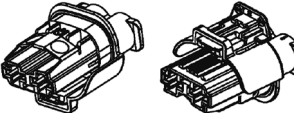
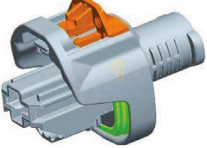
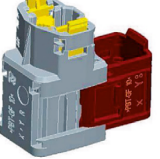
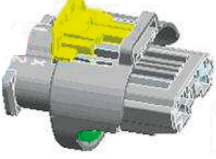



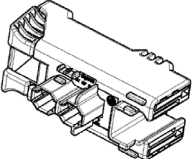
Overview NG Connector 8.0mm

Connectors

	1 way	2 ways	2 ways DAE	2 insulated ways
Tab Housing				
Unsealed	✓	✓	✓	✗
Sealed	✓	✓	✗	✗
Receptacle Housing				
Unsealed	✓	✓	✓	✗
Sealed	✓	✓	✗	✓
with CPA	✓	✓	✓ (with signal TH connector 8w)	✓
without CPA	✓	✓	✓	✓
	Other versions available for 1- and 2 way Receptacle Housings (Half shroud, ...)			
Application	Fan Cooling Fuse and Relay Holder Additional Heating (PTC) Electric Pump Sealed/Unsealed Power Connector		Electrical Steering Group Power Connector	

1- and 2 ways NG1 8mm Family

Receptacle Housings

 <p>Receptacle Housing 1 way 8mm NG1 Gen1 with shroud unsealed</p> <ul style="list-style-type: none"> ■ 1544601-1 ■ 1544601-2 ■ 1544601-3 <p>Receptacle Housing 1 way 8mm NG1 Gen1 with shroud sealed</p> <ul style="list-style-type: none"> ■ 1544603-1 ■ 1544603-2 ■ 1544603-3 	 <p>Receptacle Housing 2 ways 8mm NG1 Gen1 with shroud unsealed</p> <ul style="list-style-type: none"> ■ 1544661-1 ■ 1544661-2 ■ 1544661-3 <p>Receptacle Housing 2 ways 8mm NG1 Gen1 with shroud sealed</p> <ul style="list-style-type: none"> ■ 1544662-1 ■ 1544662-2 ■ 1544662-3 	 <p>Receptacle Housing 2 ways 8mm NG1 Gen1 w/o shroud sealed</p> <ul style="list-style-type: none"> ■ 1544317-1 ■ 1544317-2 ■ 1544317-3 <p>Receptacle Housing 2 ways 8mm NG1 Gen1 w/o shroud sealed with CPA</p> <ul style="list-style-type: none"> ■ 1544678-1 ■ 1544678-2 ■ 1544678-3 	 <p>Receptacle Housing 2 ways 8mm NG1 Gen1 w/o shroud unsealed</p> <ul style="list-style-type: none"> ■ 1544567-1 ■ 1544567-2 ■ 1544567-3 <p>Receptacle Housing 2 ways 8mm NG1 Gen1 w/o shroud unsealed with CPA</p> <ul style="list-style-type: none"> ■ 1544679-1 ■ 1544679-2 ■ 1544679-3
 <p>Receptacle Housing 1 way 8mm NG1 Gen2 with shroud sealed with CPA</p> <ul style="list-style-type: none"> ■ 1544680-1 ■ 1544680-2 ■ 1544680-3 	 <p>Receptacle Housing 2 ways 8mm NG1 unsealed with slider</p> <ul style="list-style-type: none"> ■ 1801422-1 ■ 1801422-2 ■ 1801422-3 	 <p>Rec. Housing 2 ways 8mm NG1 Gen1 with shroud unsealed with CPA</p> <ul style="list-style-type: none"> ■ 1544650-1 ■ 1544650-2 ■ 1544650-3 <p>Rec. Housing 2 ways 8mm NG1 Gen1 with shroud sealed with CPA</p> <ul style="list-style-type: none"> ■ 1544653-1 ■ 1544653-2 ■ 1544653-3 	 <p>Receptacle Housing 2 ways 8mm NG1 Gen2 with shroud sealed with CPA</p> <ul style="list-style-type: none"> ■ 1544978-1 ■ 1544978-2 ■ 1544978-3 ■ 1544978-5
<p>(*) Not tooled</p>	 <p>Receptacle Housing 2 insulated ways 8mm NG1 sealed with lever with CPA</p> <ul style="list-style-type: none"> ■ 1801655-1 ■ 1801655-2 (*) ■ 1801655-3 	 <p>Receptacle Housing 2 insulated ways 8mm NG1 sealed with lever w/o CPA</p> <ul style="list-style-type: none"> ■ 1801670-1 ■ 1801670-2 (*) ■ 1801670-3 	 <p>Receptacle Housing 2 ways 8mm NG1 unsealed with slider (DAE X95)</p> <ul style="list-style-type: none"> ■ 1801251-1 ■ 1801251-2 ■ 1801251-3

Tab Housings

 <p>Tab Housing 1 way 8mm NG1</p> <ul style="list-style-type: none"> ■ 1544606-1 ■ 1544606-2 ■ 1544606-3 	 <p>Tab Housing 2 ways 8mm NG1 Gen1</p> <ul style="list-style-type: none"> ■ 1544334-1 ■ 1544334-2 ■ 1544334-3 	 <p>Tab Housing 2 ways 8mm NG1 Gen2</p> <ul style="list-style-type: none"> ■ 1544980-1 ■ 1544980-2 ■ 1544980-3 ■ 1544980-4 ■ 1544980-5 	 <p>Tab Housing 2 ways 8mm NG1 unsealed (DAE X95)</p> <ul style="list-style-type: none"> ■ (1)-1801256-1 ■ (1)-1801256-2 ■ (1)-1801256-3
---	---	--	---

1 Position 8.0mm NG1 Receptacle Housing

Applications

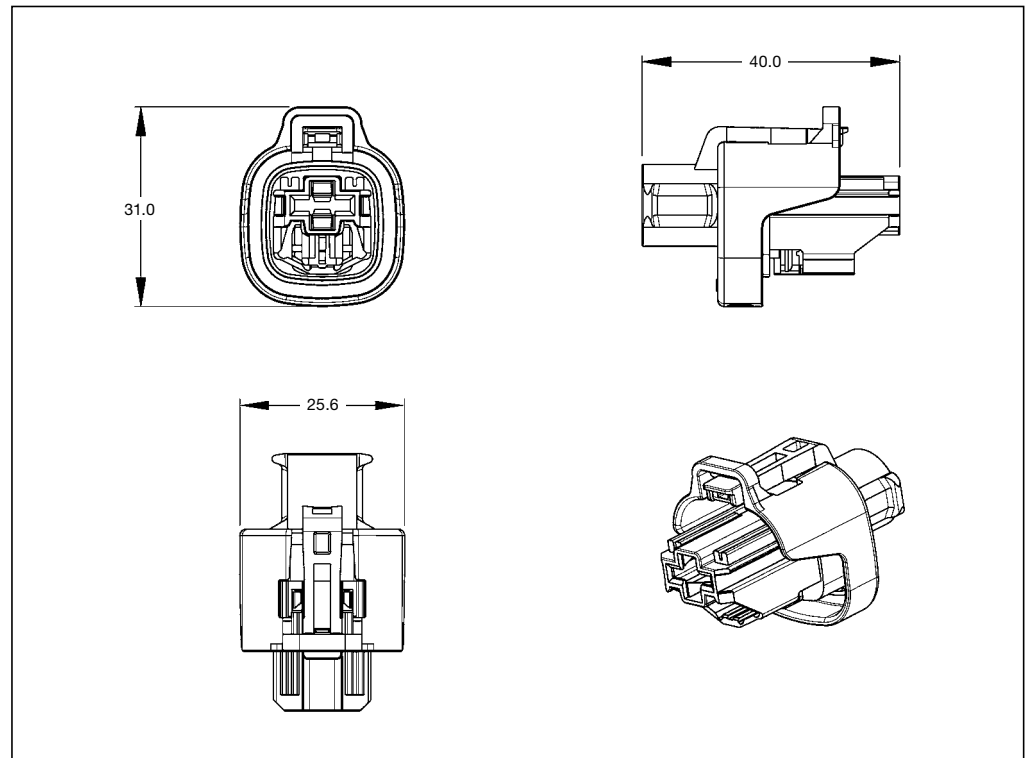
- Power electrical functions, e.g. electrical pump and engine cooling fan

Technical Features

- Primary and secondary receptacle/tab latch
- Detection of a partially inserted receptacle/tab
- Positive mate
- High extraction force between terminal and connector
- IP68 connector
- Color coded mechanical polarization
- Secondary locking is an integral part of the receptacle housing
- Crimping with seal
- Holder material: PBT

Application Specification:
411-15664

Extraction Tool:
5-1579008-9
8-1579008-2
8-1579018-4



1 Position 8.0mm NG1 Receptacle Housing

Part Number	Package Quantity	Material	Color	Mating Contacts
1544603-1	2,000	PBT	Black	8.0mm NG1 Receptacles: 1544227-1 1544228-1
1544603-2			Blue	8.0mm NG1 Seals: 1544316-1
1544603-3			Gray	1544316-2

1 Position 8.0mm NG1 Receptacle Housing Generation 2, with CPA

Application

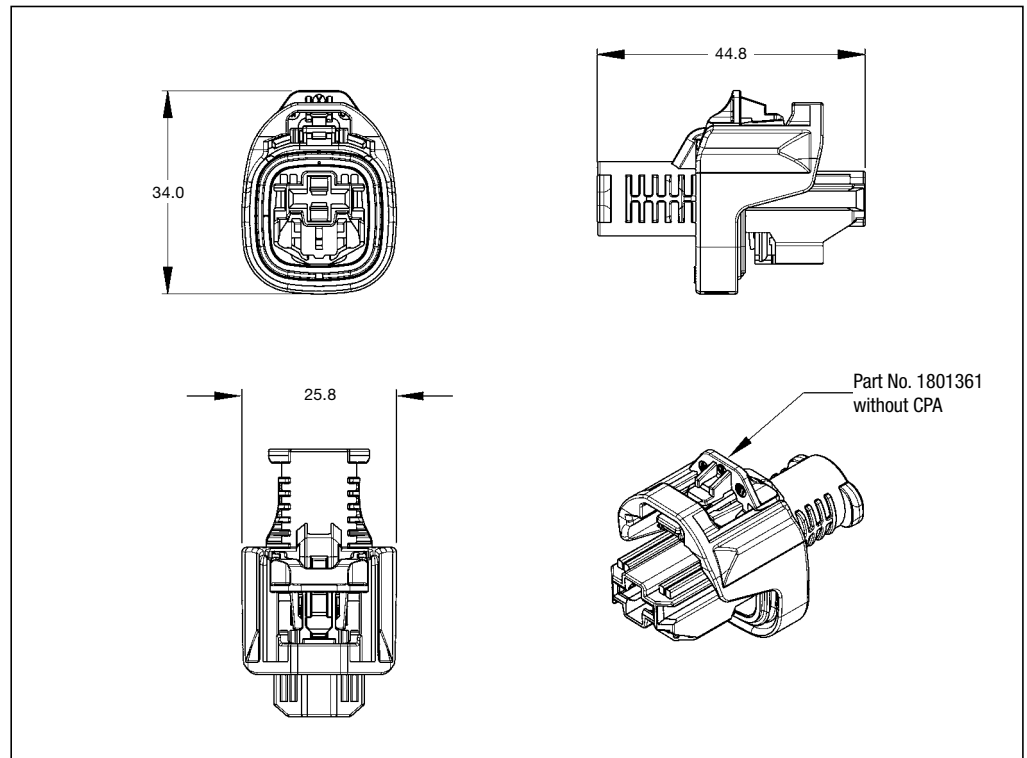
- Power electrical functions:
 - Electrical pump
 - Electrical motor
 - Engine cooling fan
 - Heating elements
- Power distribution:
 - Fuse box

Technical Features

- Primary and secondary receptacle contact locking
- Mating assurance device (CPA)
- Detection of a partially inserted receptacle contact
- Positive mate
- IPX9K sealing
- Mechanical and color coding association
- Secondary locking is an integral part of the receptacle housing
- Crimped wire seal
- Housing Material: PBT

Application Specification:
411-15728

Extraction Tool:
1579018-1
5-1579008-9
8-1579008-2



1 Position 8.0mm NG1 Receptacle Housing Generation 2, with CPA

Part Numbers		Material	Color	Mating Contacts
Housing with CPA	Package Quantity			
1544680-1		PBT	Black	8.0mm NG1 Receptacles: 1544227-1 1544228-1
1544680-2	1,700		Blue	8.0mm NG1Plus Receptacles: 1544964-1 1544965-1 1544966-1
1544680-3			Gray	8.0mm NG1 Seals: 1544316-1 / 1544316-2 8.0mm NG9K Seals: 1544970-1 1544970-2 1544970-3

1 Position 8.0mm NG1 Receptacle Housing

Application

- Power electrical functions, e.g. electrical pump, engine cooling fan, etc.

Technical Features

- Primary and secondary receptacle/tab latch
- Detection of a partially inserted receptacle/tab
- Positive mate
- High extraction force between terminal and connector
- IP68 connector
- Color coded mechanical polarization
- Secondary locking is an integral part of the receptacle housing
- Crimping with seal

Holder Material:

PBT

Application Specification:

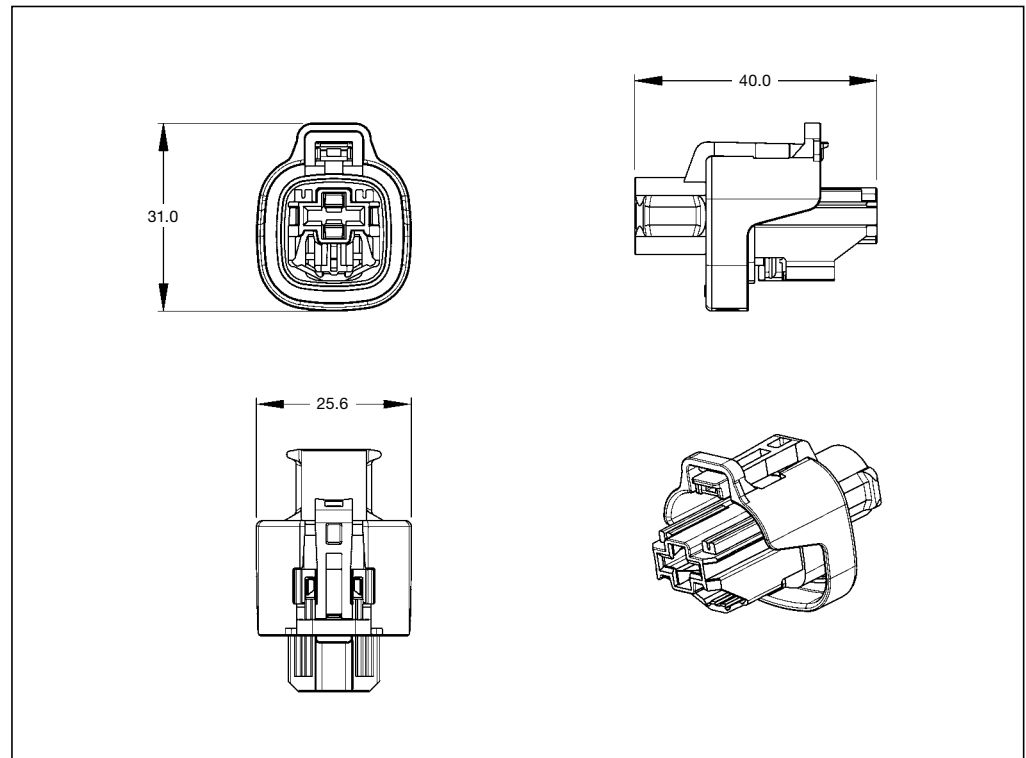
411-15664

Extraction Tool:

5-1579008-9

8-1579008-2

8-1579018-4



1 Position 8.0mm NG1 Receptacle Housing

Part Number	Package Quantity	Material	Color	Mating Contacts
1544603-1	2,000	PBT	Green	8.0mm NG1 Receptacles: 1544227-1 1544228-1
1544603-2			Brown	
1544603-3			White	

1 Position 8.0mm NG1 Tab Housing

Applications

- Power electrical functions, e.g. electrical pump and engine cooling fan

Technical Features

- Primary and secondary receptacle/tab latch
- Detection of a partially inserted receptacle/tab
- Positive mate
- High extraction force between terminal and connector
- IP68 connector
- Color coded mechanical polarization
- Secondary locking is an integral part of the receptacle housing
- Crimping with seal
- Holder material: PBT

Application Specification

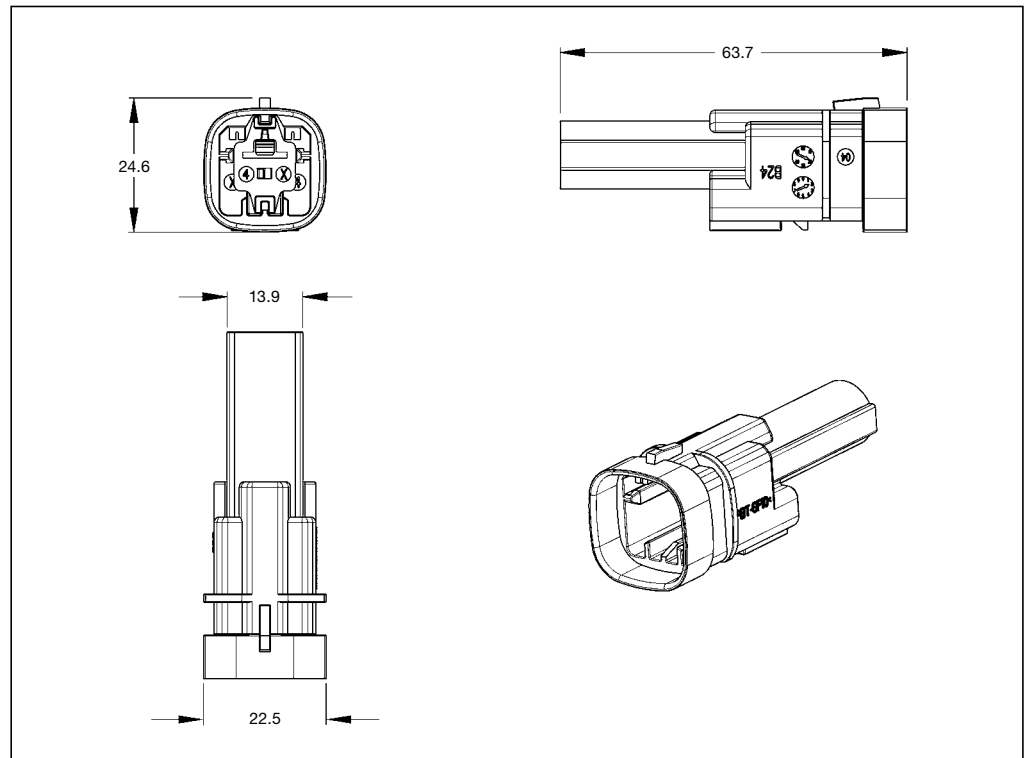
411-15664

Extraction Tool

8-1579008-2

8-1579018-4

5-1579008-9



1 Position 8.0mm NG1 Tab Housing

Part Number	Package Quantity	Material	Color	Mating Contacts
1544606-1			Black	8.0mm NG1 Tabs: 1544332-1 1544333-1
1544606-2	1,400	PBT	Blue	8.0mm NG1 Seals: 1544316-1 1544316-2
1544606-3			Gray	

2 Position 8.0mm NG1 Receptacle Housing, with Skirt, with/without CPA

Application

- Engine harness
- Power electrical functions, e.g. electrical pump and engine cooling fan

Technical Features

- Connector could be connected with a tab housing or a header
- Positive mate
- Primary and secondary (integrated) receptacle latch
- CPA
- With or without complete skirt (seal is protected all around the connector)

Material:

PBT

Mechanical Coding:

3 colors

Temperature Class:

-40°C to +100°C

Vibration Class:

3 g

Sealing Class:

2 (IP68)

Application Specification:

411-15697

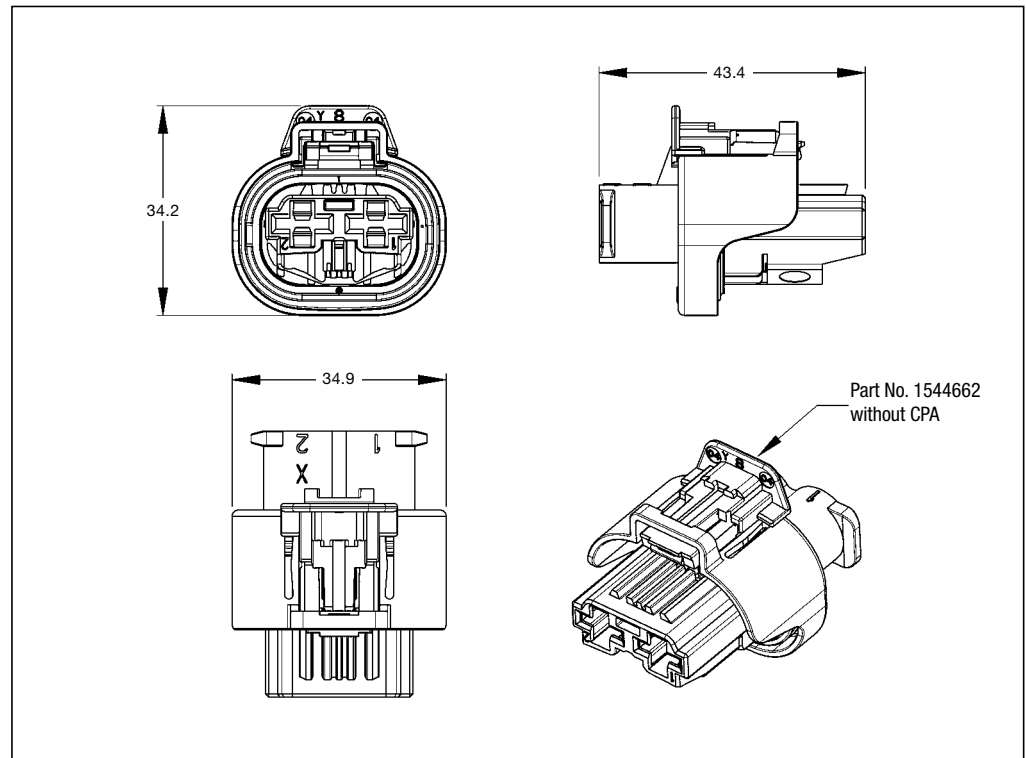
Extraction Tool:

5-1579008-9

7-1579018-4

Insertion Tool:

8-1579008-3



2 Position 8.0mm NG1 Receptacle Housing, with Skirt, with/without CPA

Part Numbers		Material	Color	Mating Contacts
Housing with CPA	Package Quantity			
1544650-1			Black	8.0mm NG1 Receptacles: 1544227-1 1544228-1
1544650-2	1,200	PBT	Blue	8.0mm NG1Plus Receptacles: 1544964-1 / 1544964-2 1544965-1 / 1544965-2 1544966-1 / 1544966-2
1544650-3			Gray	8.0mm NG1 Seals: 1544316-1 / 1544316-2

2 Position 8.0mm NG1 Receptacle Housing, without Skirt, with/without CPA

Application

- Engine harness
- Power electrical functions, e.g. electrical pump and engine cooling fan

Technical Features

- Connector could be connected with a tab housing or a header
- Positive mate
- Primary and secondary (integrated) receptacle latch
- CPA
- With or without complete skirt (seal is protected all around the connector)

Material:

PBT

Mechanical Coding:

3 colors

Temperature Class:

-40 °C to +100 °C

Vibration Class:

3 g

Sealing Class:

2 (IP68)

Application Specification:

411-15725

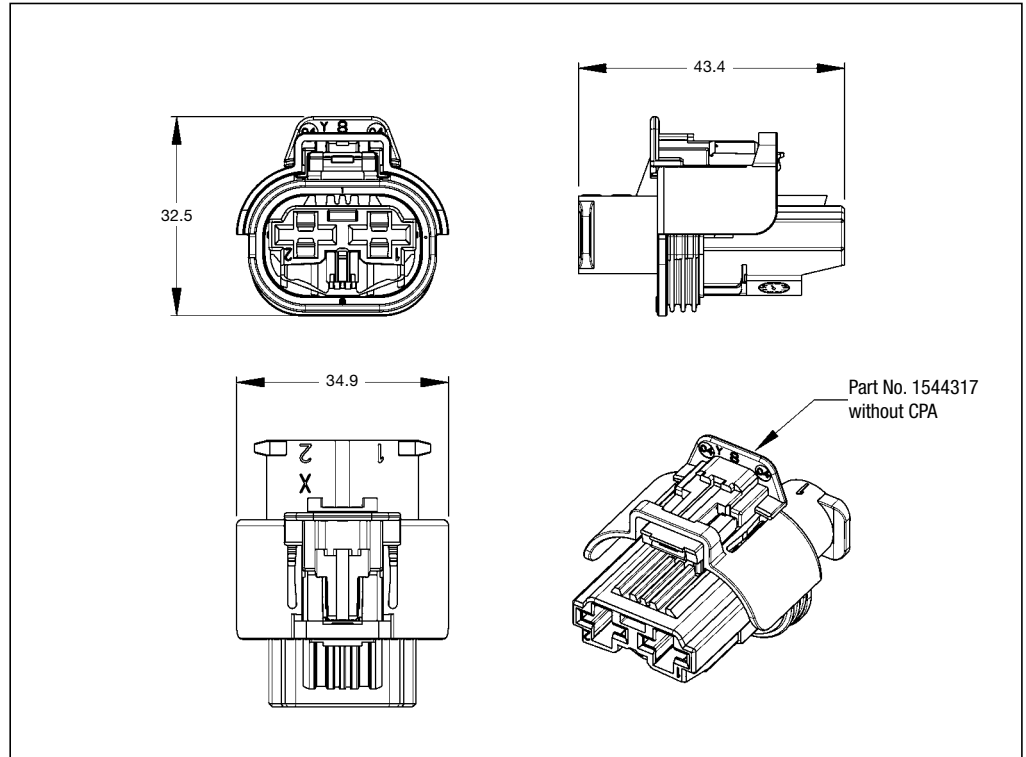
Extraction Tool:

5-1579008-9

8-1579008-2

Insertion Tool:

7-1579008-9



2 Position 8.0mm NG1 Receptacle Housing, without Skirt, with/without CPA

Part Numbers		Material	Color	Mating Contacts
Housing with CPA	Package Quantity			
1544678-1			Black	8.0mm NG1 Receptacles: 1544227-1 1544228-1
1544678-2	1,200	PBT	Blue	8.0mm NG1Plus Receptacles: 1544964-1 / 1544964-2 1544965-1 / 1544965-2 1544966-1 / 1544966-2
1544678-3			Gray	8.0mm NG1 Seals: 1544316-1 / 1544316-2

2 Position 8.0mm NG1Plus Receptacle Housing

Application

- Engine harness
- Power electrical functions, e.g. electrical pump, engine cooling fan, etc.

Technical Features

- Connector could be connected with a tab housing or a header
- Positive mate
- Primary and secondary (integrated) receptacle latch
- CPA
- With complete skirt (seal is protected all around the connector)

Material:
PBT

Mechanical Coding:
4 colors

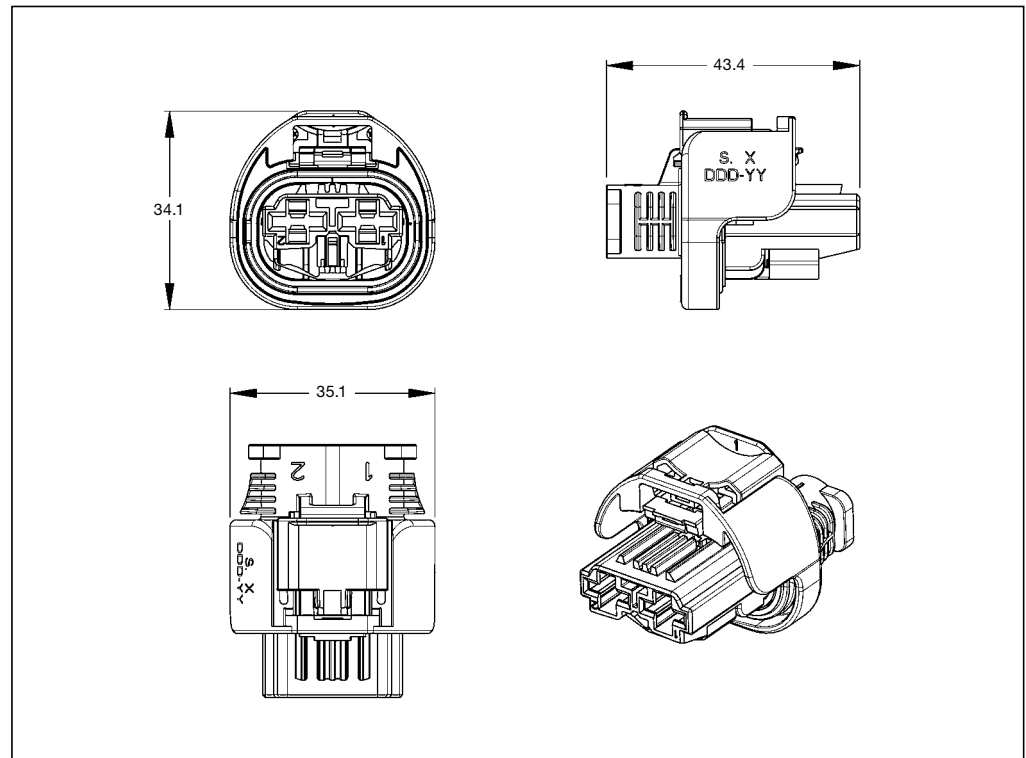
Vibration Class:
10 g

Sealing Class:
2/IPX9K

Application Specification:
411-15725

Extraction Tool:
5-1579008-9
8-1579008-2
2-1579018-4

Insertion Tool:
7-1579008-9



2 Position 8.0mm NG1Plus Receptacle Housing

Part Number	Package Quantity	Material	Color	Mating Contacts
1544978-1	1,000	PBT	Black	8.0mm NG1Plus Receptacles: 1544964-1 / 1544964-2 1544965-1 / 1544965-2 1544966-1 / 1544966-2 8.0mm NG9K Seals: 1544970-1 /-2 /-3 8.0mm NG1Plus Cavity Plug: 1544970-4
1544978-2			Blue	
1544978-3			Gray	
1544978-4			Green	

2 Position 8.0mm NG1 Receptacle Housing, with Skirt, with/without CPA

Application

- Engine harness
- Power electrical functions, e.g. electrical pump and engine cooling fan

Technical Features

- Connector could be connected with a tab housing or a header
- Positive locking device
- Primary and secondary (integrated) receptacle latch
- CPA
- With or without complete skirt

Material:

PBT

Mechanical Coding:

3 colors

Temperature Class:

-40° C to +100° C

Vibration Class:

3 g

Sealing Class:

0

Application Specification:

411-15697

Extraction Tool:

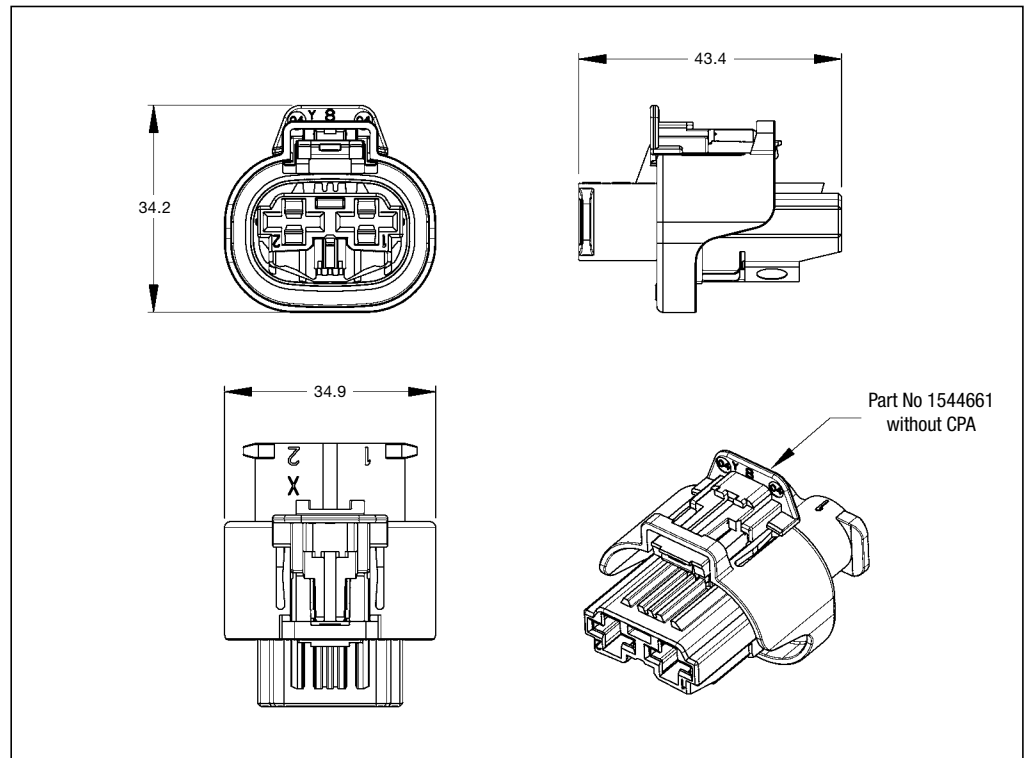
5-1579008-9

7-1579018-4

8-1579018-4

Insertion Tool:

8-1579008-3



2 Position 8.0mm NG1 Receptacle Housing, with Skirt, with/without CPA

Part Number			Material	Color	Mating Contacts
Housing with CPA	Package Quantity	Housing without CPA			
1544653-1		1544661-1	PBT	Black	8.0mm NG1 Receptacles: 1544227-1 1544228-1
1544653-2	1,200	1544661-2		Blue	8.0mm NG1Plus Receptacles: 1544964-1 / -2 1544965-1 / -2
1544653-3		1544661-3		Gray	1544966-1 / -2

2 Position 8.0mm NG1 Receptacle Housing, without Skirt, with/without CPA

Application

- Engine harness
- Power electrical functions, e.g. electrical pump and engine cooling fan

Technical Features

- Connector could be connected with a tab housing or a header
- Positive locking device
- Primary and secondary (integrated) receptacle latch
- CPA
- With or without complete skirt

Material:

PBT

Mechanical Coding:

3 colors

Temperature Class:

-40° C to +100° C

Vibration Class:

3 g

Sealing Class:

0

Application Specification:

411-15697

Extraction Tool:

5-1579008-9

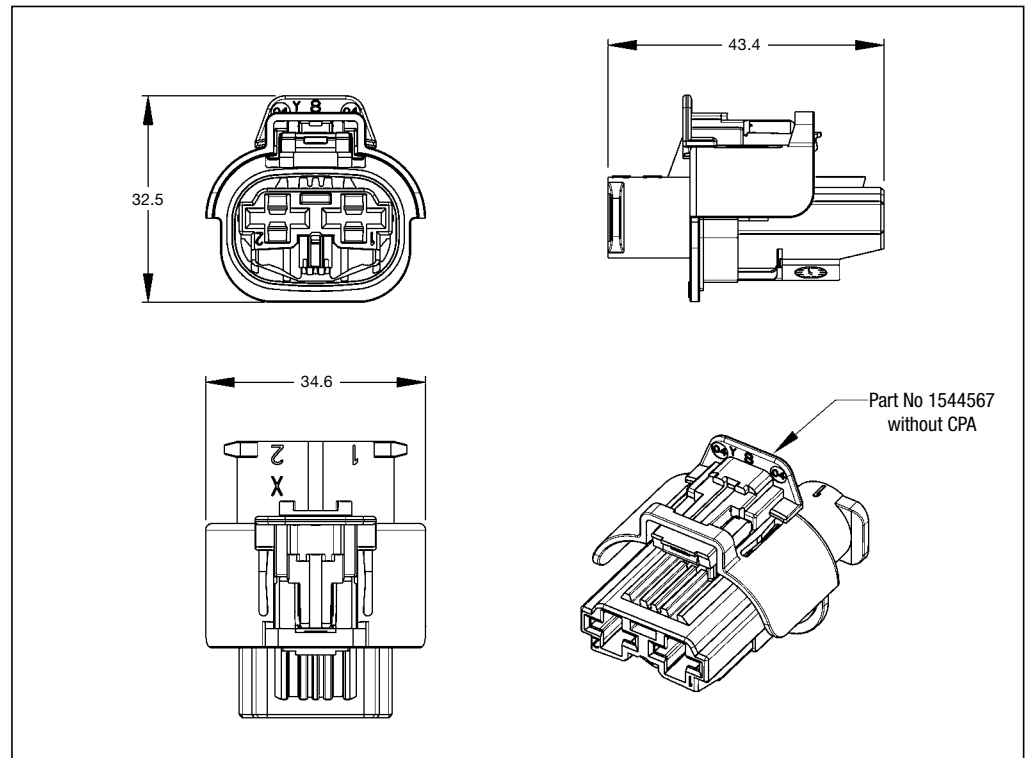
7-1579018-4

8-1579018-4

8-1579008-0 (for PN 1544567-1)

Insertion Tool:

8-1579008-3



2 Position 8.0mm NG1 Receptacle Housing, without Skirt, with/without CPA

Part Number			Material	Color	Mating Contacts
Housing with CPA	Package Quantity	Housing without CPA			
1544679-1		1544567-1	PBT	Black	8.0mm NG1 Receptacles: 1544227-1 1544228-1
1544679-2	1,200	1544661-2		Blue	8.0mm NG1Plus Receptacles: 1544964-1 / -2 1544965-1 / -2
1544679-3		1544661-3		Gray	1544966-1 / -2

2 Position 8.0mm NG1 Receptacle Connector with Slide

Application

- Fuse and relay holder

Technical Features

- Primary and secondary receptacle locking
- Detection of a partially inserted receptacle
- Slide locking system
- Color coded mechanical polarization
- Unsealed

Temperature Class:

-40 °C to +100 °C

Vibration Class:

3 g

Application Specification:

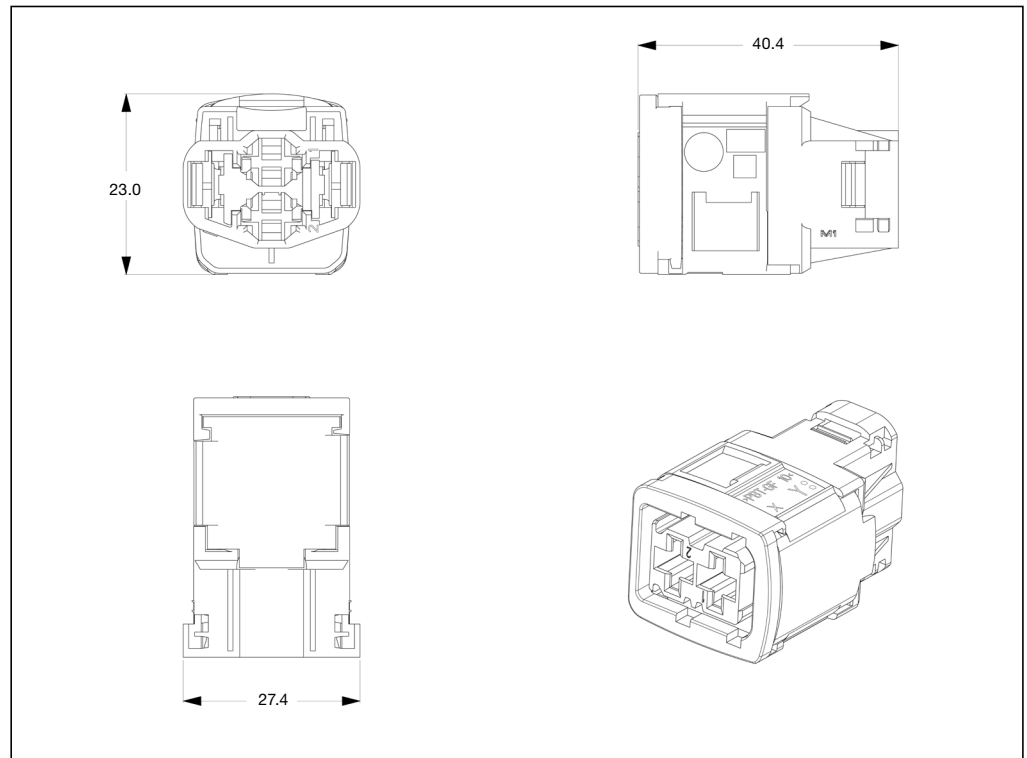
411-15743

Extraction Tool:

5-1579008-9

1-1579018-6

3-1579018-9



2 Position 8.0mm NG1 Receptacle Connector with Slide

Part Number	Package Quantity	Material	Color	Mating Contacts
1801422-1	684	PBT	Black	8.0mm NG1Plus Receptacles: 1544964-1 / -2 1544965-1 / -2 1544966-1 / -2
1801422-2			Blue	
1801422-3			White	

NG Power Terminals and Connectors Sealed Power Housings

2 Position Insulated 8.0mm NG1 Receptacle Housing – Sealed by Position – without CPA

Application

- Engine harness
- Power electrical functions, e.g. electrical pump, engine cooling fan, etc.

Technical Features

- The connector could be connected with a header
- Two separated sealed cavities
- Lever locking device
- Two secondary locks

Material:

PBT GF10 for the main housing

Mechanical Coding:

3 colors

Temperature Class:

-40°C to +100°C

Vibration Class:

10 g

Sealing Class:

2/IPX9K

Extraction Tool:

5-1579008-9

2-1579018-2

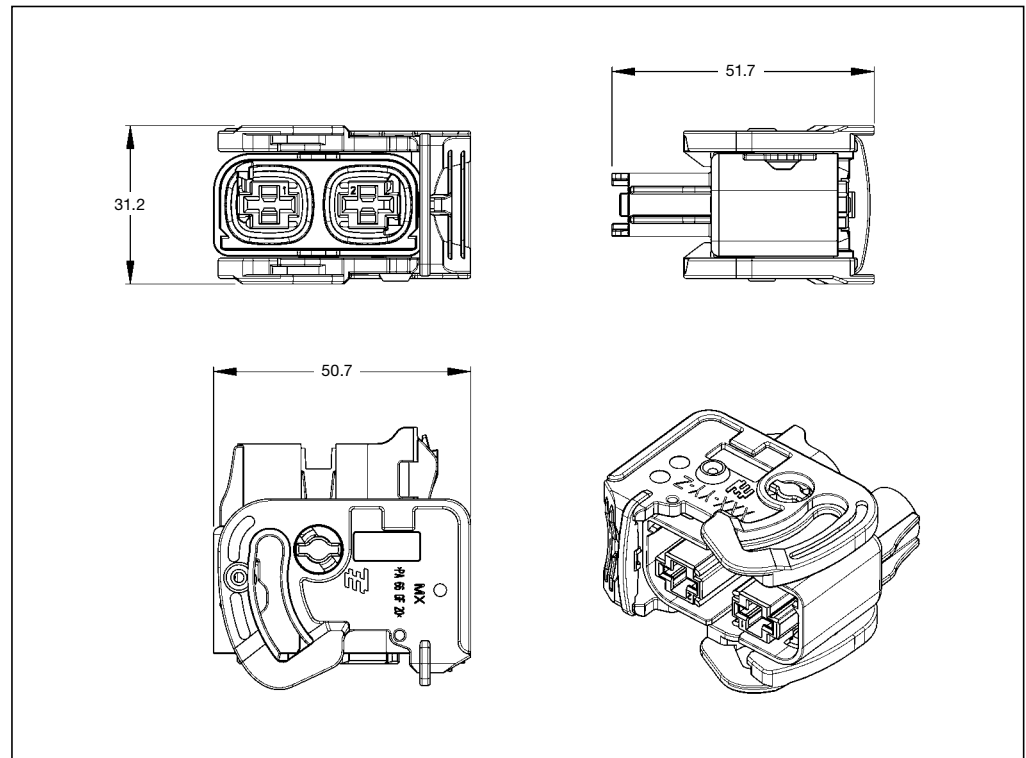
2-1579018-3

2-1579018-4

3-1579018-9

Insertion Tool:

7-1579008-9



2 Position Insulated 8.0mm NG1 Receptacle Housing – Sealed by Position – without CPA

Part Number	Package Quantity	Material	Color (*)	Mating Contacts
1801670-1	300	PBT GF10	Black	8.0mm NG1Plus Receptacles: 1544964-1 / 1544964-2 1544965-1 / 1544965-2 1544966-1 / 1544966-2
1801670-3			Gray	8.0mm NG9K Seals: 1544970-1 / -2 / -3 8.0mm Cavity Plug: 1544970-4

(*) Other colors available on request

2 Position Insulated 8.0mm NG1 Receptacle Housing – Sealed by Position – with CPA

Application

- Engine harness
- Power electrical functions, e.g. electrical pump, engine cooling fan, etc.

Technical Features

- The connector could be connected with a header
- Two separated sealed cavities
- Lever locking device
- Two secondary lock

Material:

PBT GF10

Mechanical Coding:

3 colors

Temperature Class:

-40°C to +100°C

Vibration Class:

10 g

Sealing Class:

2/IPX9K

Application Specification:

411-15746

Extraction Tool:

5-1579008-9

2-1579018-2

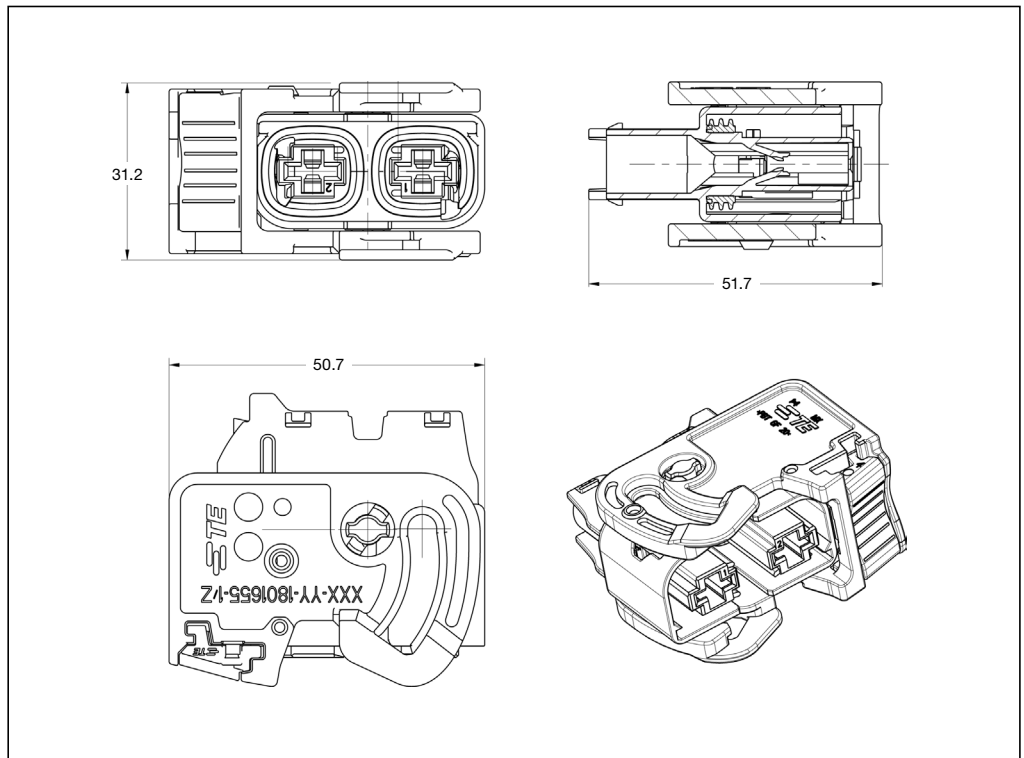
2-1579018-3

2-1579018-4

3-1579018-9

Insertion Tool:

7-1579008-9



2 Position Insulated 8.0mm NG1 Receptacle Housing – Sealed by Position – with CPA

Part Number	Package Quantity	Material	Color (*)	Mating Contacts
1801655-1	300	PBT GF10	Black	8.0mm NG1Plus Receptacles: 1544964-1 / 1544964-2 1544965-1 / 1544965-2 1544966-1 / 1544966-2
1801655-3			Gray	8.0mm NG9K Seals: 1544970-1 /-2 /-3 8.0mm Cavity Plug: 1544970-4

(*) Other colors available on request

2 Position 8.0mm NG1 Tab Housing

Application

- Engine harness
- Power electrical functions

Technical Features

- The connector could be connected with all 2 way 8.0mm NG1 receptacle housing
- Positive mate
- Bracket locking device
- Secondary lock

Material:

PBT

Mechanical Coding:

3 colors

Temperature Class:

-40°C to +100°C

Vibration Class:

3 g

Sealing Class:

2 or 0

Application Specification:

411-15697

Extraction Tool:

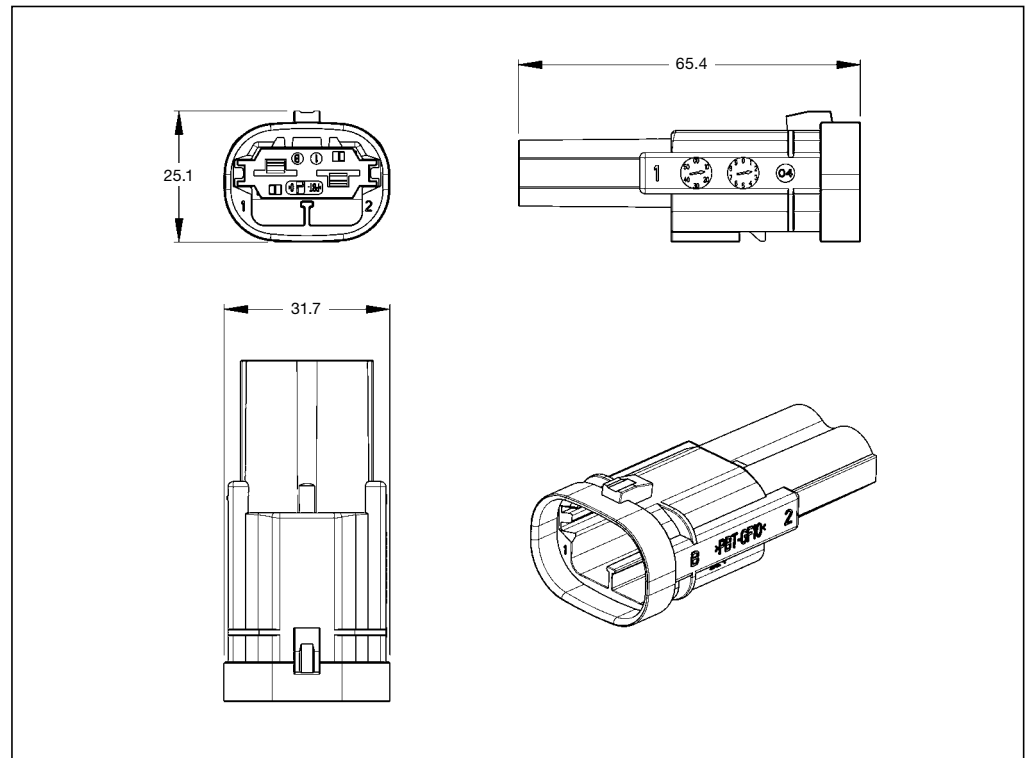
3-1579018-9

7-1579018-4

8-1579018-4

Insertion Tool:

8-1579008-3



2 Position 8.0mm NG1 Tab Housing

Part Number	Package Quantity	Material	Color	Mating Contacts
1544334-1			Black	8.0mm NG1 Tabs: 1544332-1 1544333-1
1544334-2	1,000	PBT GF10	Blue	8.0mm NG1Plus Tabs: 1544967-1 / 1544967-2 1544968-1 / 1544968-2 1544969-1 / 1544969-2
1544334-3			Gray	8.0mm NG1 Seals: 1544316-1 / 1544316-1

2 Position 8.0mm NG1Plus Tab Housing

Application

- Engine harness
- Power electrical functions, e.g. electrical pump, engine cooling fan, etc.

Technical Features

- Connector could be connected with a receptacle housing
- Positive mate
- Primary and secondary (integrated) receptacle latch
- CPA
- With complete skirt (seal is protected all around the connector)

Material:
PBT GF10

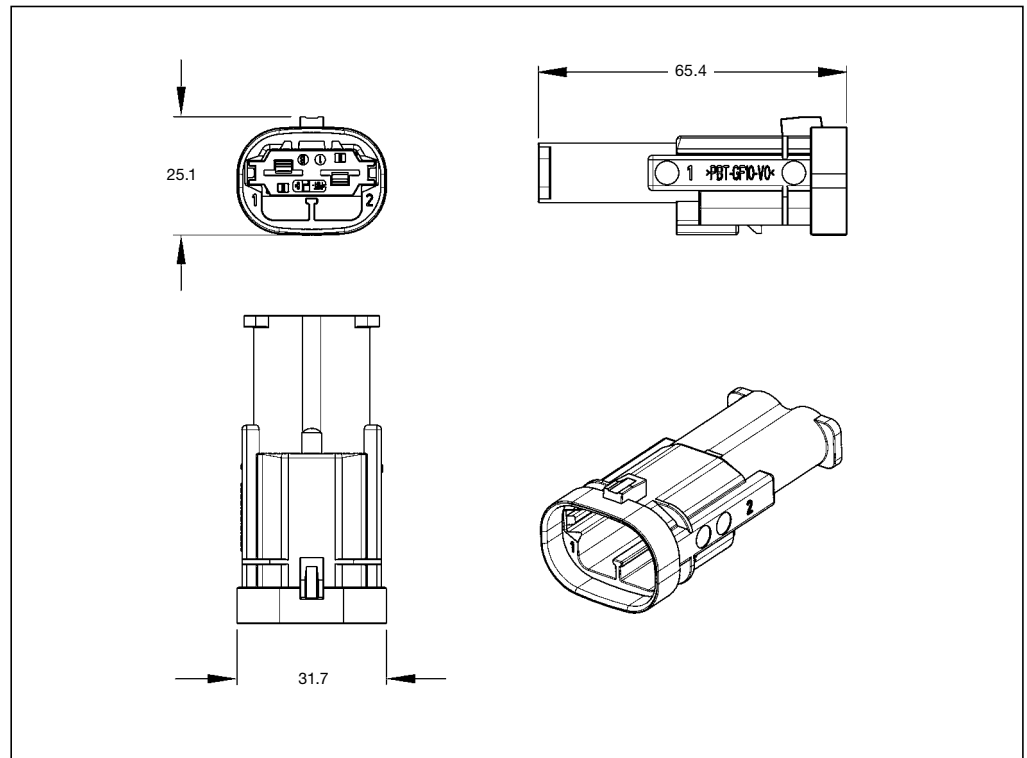
Mechanical Coding:
4 colors

Vibration Class:
10 g

Sealing Class:
2/IPX9K
Application Specification:
411-15725

Extraction Tool:
2-1579018-4
2-1579018-5

Insertion Tool:
7-1579008-9



2 Position 8.0mm NG1Plus Tab Housing

Part Number	Package Quantity	Material	Color	Mating Contacts
1544980-1	1,000	PBT GF 10	Black	8.0mm NG1Plus Tabs: 1544967-1 / 1544967-2
1544980-2			Blue	1544968-1 / 1544968-2
1544980-3			Gray	1544969-1 / 1544969-2
1544980-4			Green	8.0mm NG9K Seals: 1544970-1 /-2 /-3 8.0mm NG1Plus Cavity Plug: 1544970-4

2 Position 8.0mm NG1 Receptacle Assembly (Interface for 8 Position TH 0.635)

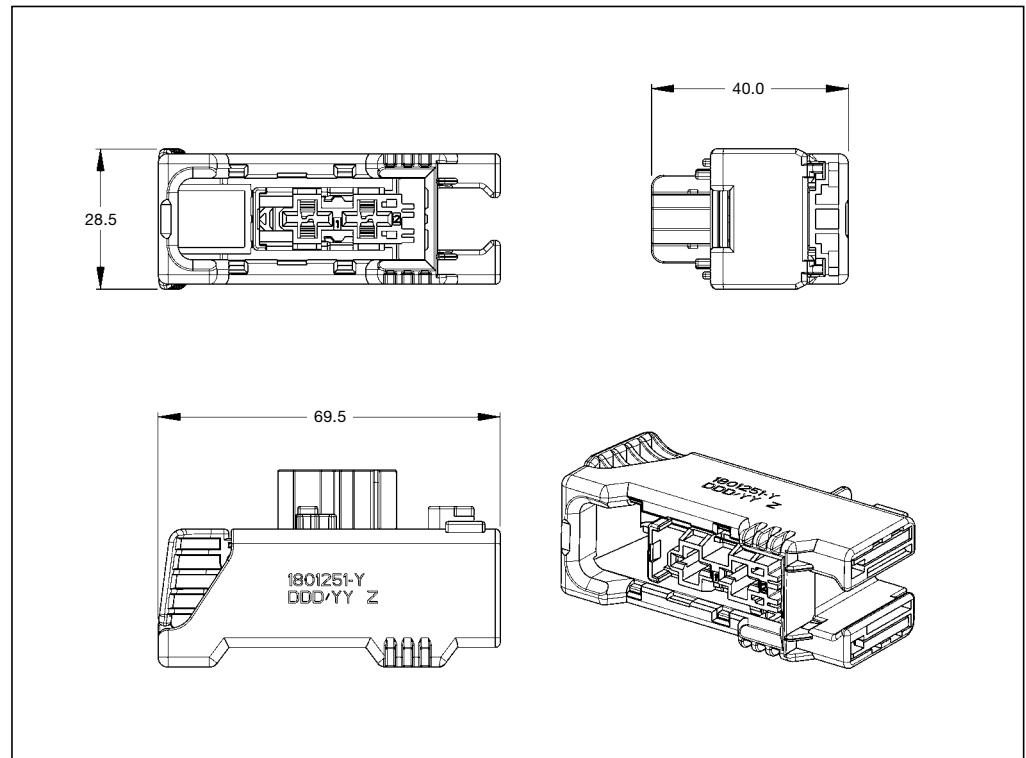
Application

- Body harness

Technical Features

- Detection of a partially inserted receptacle

Instruction Sheet:
411-15731



2 Position 8.0mm NG1 Receptacle Assembly

Part Number	Package Quantity	Material	Color	Mating Contacts	Applicator
1801251-1	500	PBT	Black	8.0mm NG1 Receptacles: 1544227-1	8.0mm TH 0.635 Receptacles: 2151216-x
1801251-2			Gray	8.0mm TH 0.635 Receptacles: 1544228-1	
1801251-3			Blue	1674298-1	

Cover

Part Number	Package Quantity	Material	Color	Mating Contacts
1801255-1	800	PBT	Black	-

2 Position 8.0mm NG1 Tab Assembly (Interface for 8 Position TH 0.635)

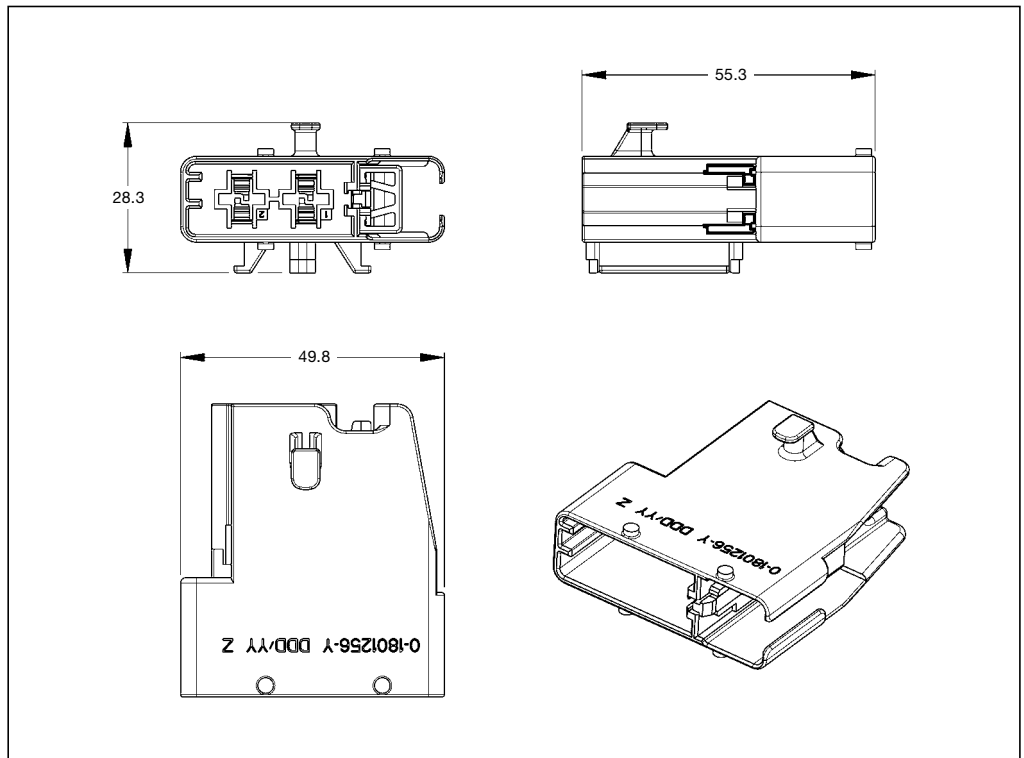
Applications

- Body harness

Technical Features

- Detection of a partially inserted receptacle

Instruction Sheet:
 411-15731



2 Position 8.0mm NG1 Tab Assembly (Interface for 8 Position TH 0.635)

Part Number	Package Quantity	Material	Color	Mating Contacts
1801256-1			Black	
1801256-2	460	PBT	Gray	8.0mm NG1 Tabs: 1544332-1 1544333-1
1801256-3			Blue	
1-1801256-1			Black	8.0mm NG1 Tabs TH 0.635: 1674742-1
1-1801256-2	460	PBT	Gray	
1-1801256-3			Blue	

6 Position Hybrid 2.8mm NGP and 1.5mm Header with Slider

Application

- Fuse and relay holder

Technical Features

- Primary and secondary receptacle locking
- Detection of partially inserted receptacle
- Slide locking system
- Color coded mechanical polarization
- Sealed

Temperature Class:

-40° C to +100° C

Vibration Class:

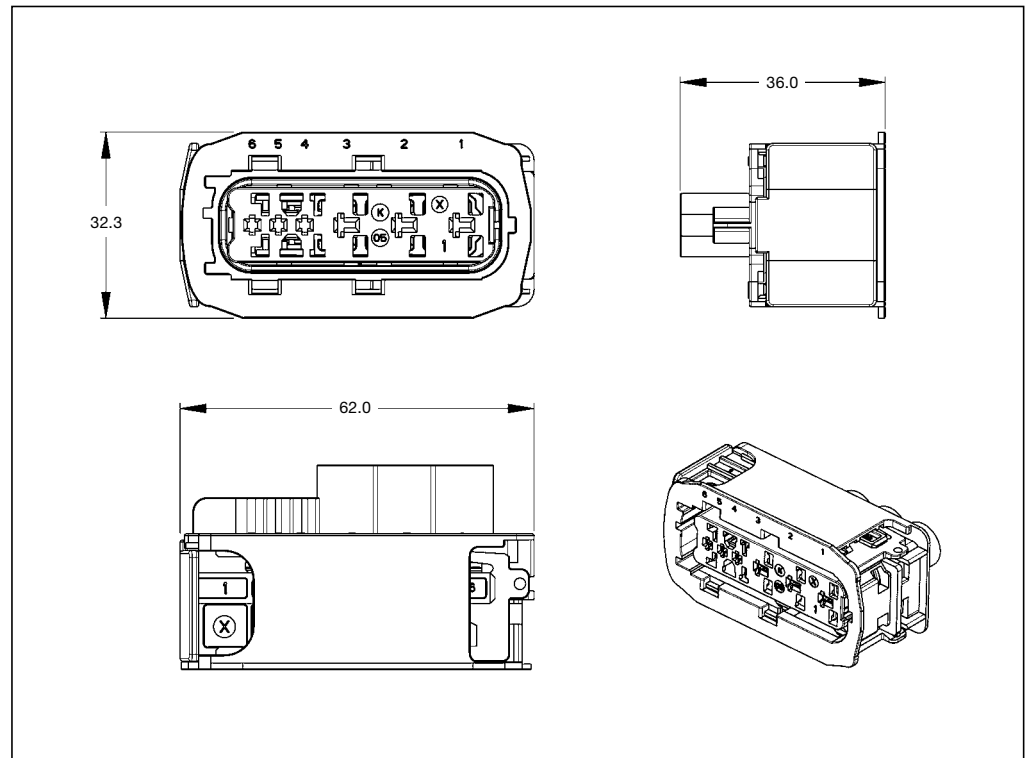
3 g

Application Specification:

411-15703

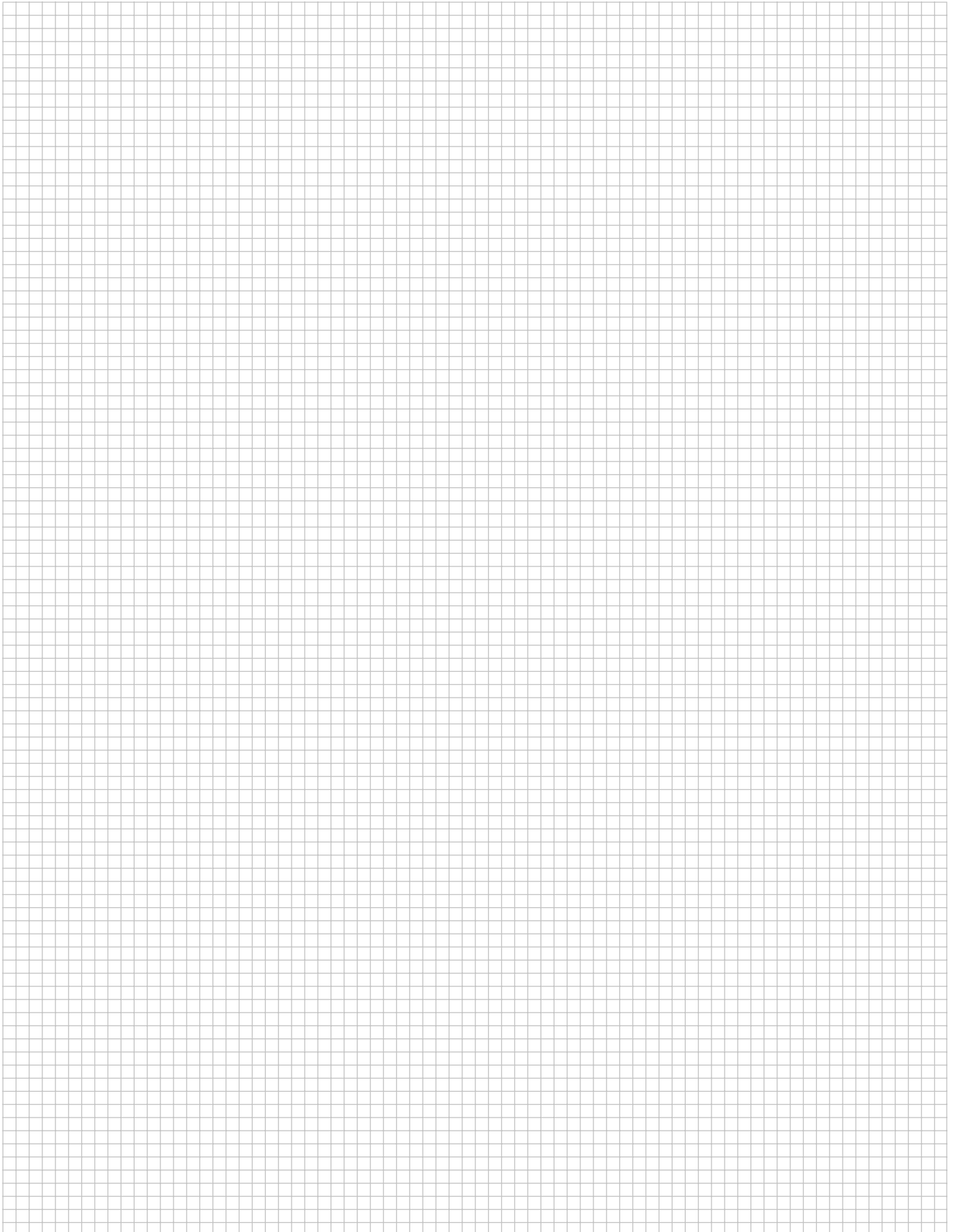
Extraction Tool:

1544948-1



6 Position Hybrid 2.8mm NGP and 1.5mm Header with Slider

Part Number	Package Quantity	Material	Color	Mating Contacts
1544938-1	340	PBT	Black	2.8mm NGP: 1544555-1 1544940-1
1544938-2				2.8 mm NGP Seals: 1544941-1



Additional Products

Unsealed Power Housings - Flag 6.35mm

Lamp Housing

Applications

- Lamp

Technical Features

- Low insertion force
- Low profile
- Initial Contact

Resistance:

<3 mV

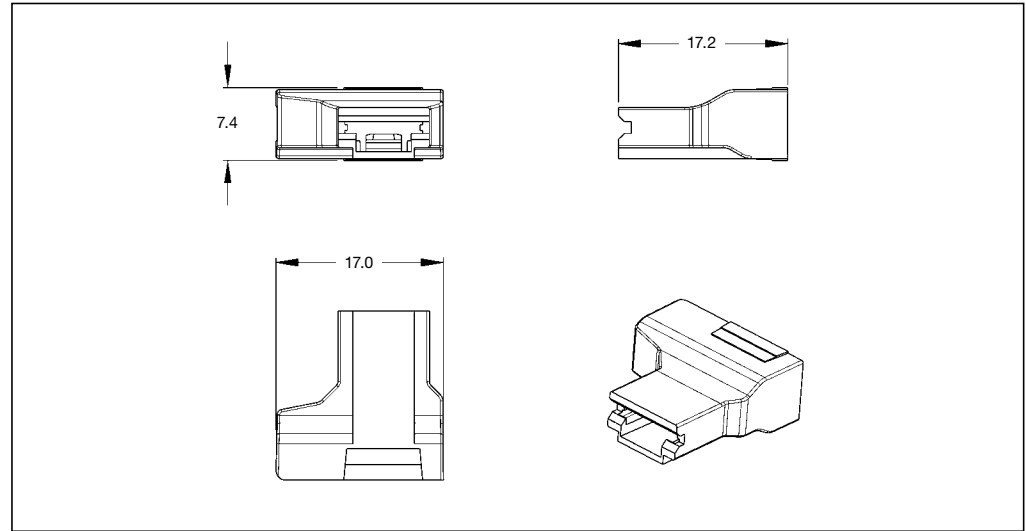
Raw Material:

German silver

Current Capacity for 40° C rise in T°:

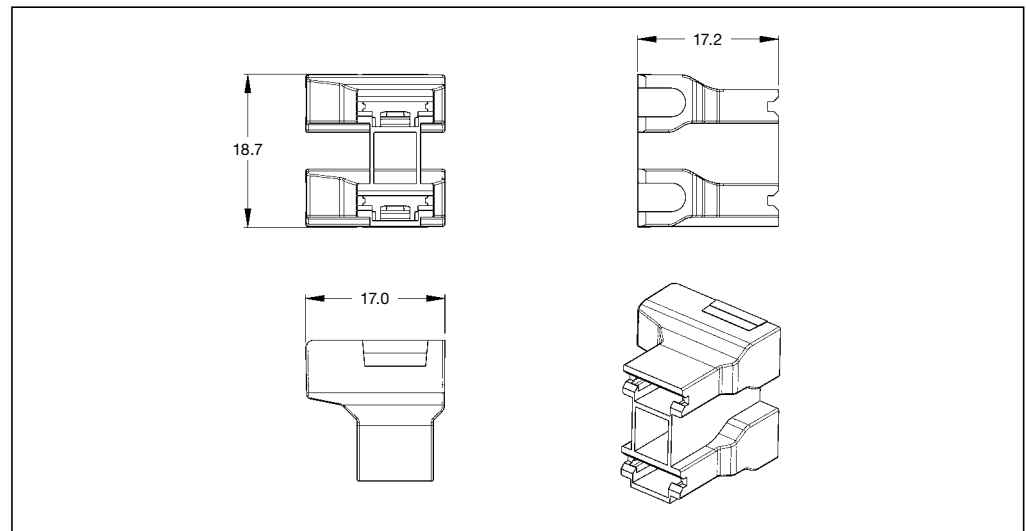
1.0mm² = 11 A

3.0mm² = 14 A



1 Position H1 Lamp Housing

Part Number	Package Quantity	Material	Color	Mating Contacts	Applicator
1544351-1	19,000	PCT	Black	6.35mm Flag Terminals: 1544113-4 1544114-4	2150532-x 2150623-x



2 Position H7 Lamp Housing

Part Number	Package Quantity	Material	Color	Mating Contacts	Applicator
1544352-1	6,000	PA 6.6	Black	6.35mm Flag Terminals: 1544113-4 1544114-4	2150532-x 2150623-x

3 Position 6.35mm NG1 Receptacle Connector

Application

- Locking steering column
- Fuse box and relay holder

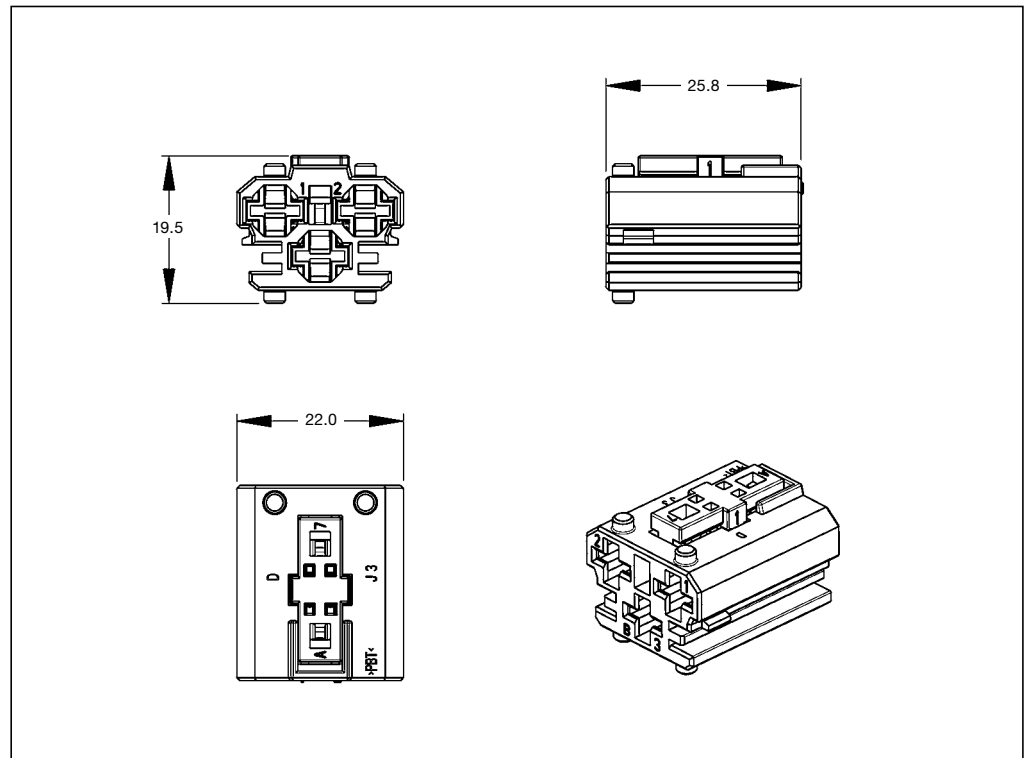
Technical Features

- Primary and secondary receptacle/tab latch
- Detection of a partially inserted receptacle/tab
- Cam locking system
- High extraction force between terminal and connector
- Color coded mechanical polarization
- Pre-assembled front grids protect the contact and guide the tab during entry into receptacle

Holder Material:
PBT

Application Specification:
411-15687

Extraction Tool:
3-1579018-9



3 Position 6.35mm NG1 Receptacle Connector

Part Number	Package Quantity	Material	Color	Mating Contacts
1544225-1			Black	
1544225-2	1,980	PBT	Blue	6.35mm NG1 Receptacle: 1544133-1
1544225-3			Green	

Additional Products

Unsealed Power Housings

3 Position 6.35mm NG1 Tab Connector

Application

- Locking steering column
- Fuse box and relay holder

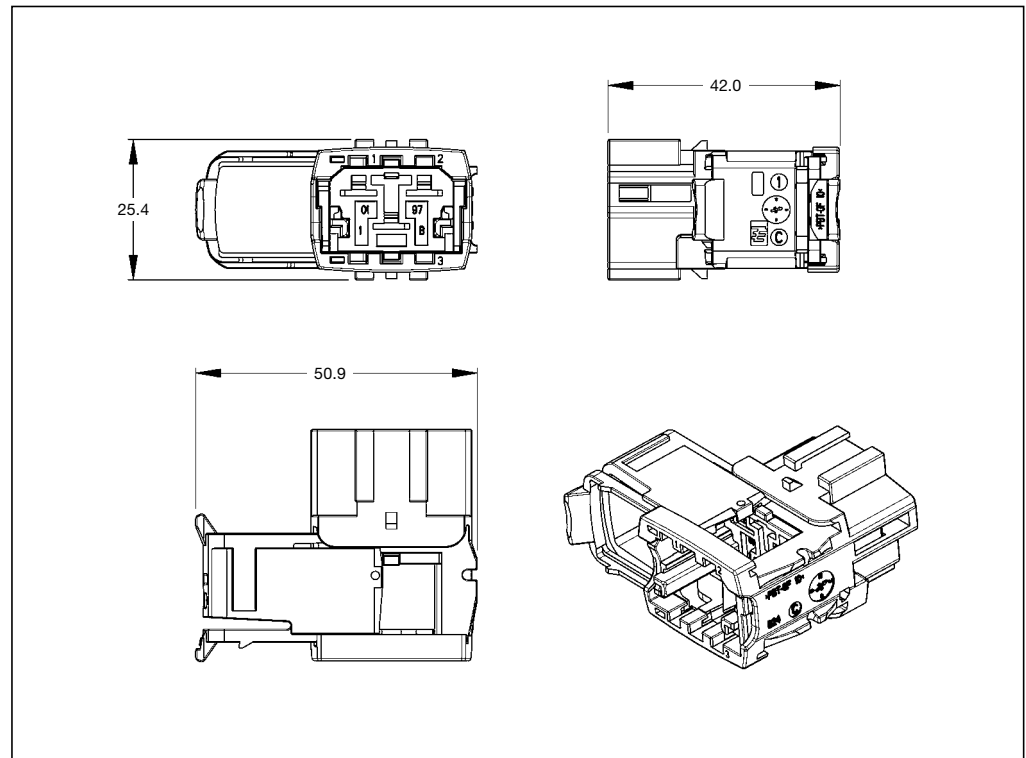
Technical Features

- Primary and secondary receptacle/tab latch
- Detection of a partially inserted receptacle/tab
- Cam locking system
- High extraction force between terminal and connector
- Color coded mechanical polarization
- Pre-assembled front grids protect the contact and guide the tab during entry into receptacle

Holder Material:
 PBT

Application Specification:
 411-15687

Extraction Tool:
 3-1579018-9



3 Position 6.35mm NG1 Tab Connector

Part Number	Package Quantity	Material	Color	Mating Contacts	Applicator
1544226-1	600	PBT	Black	6.35mm NG1 Tab: 1544218-1	2266158-x
1544226-2			Blue		
1544226-3			Green		

4 Position 6.35mm NG1 Receptacle Connector

Application

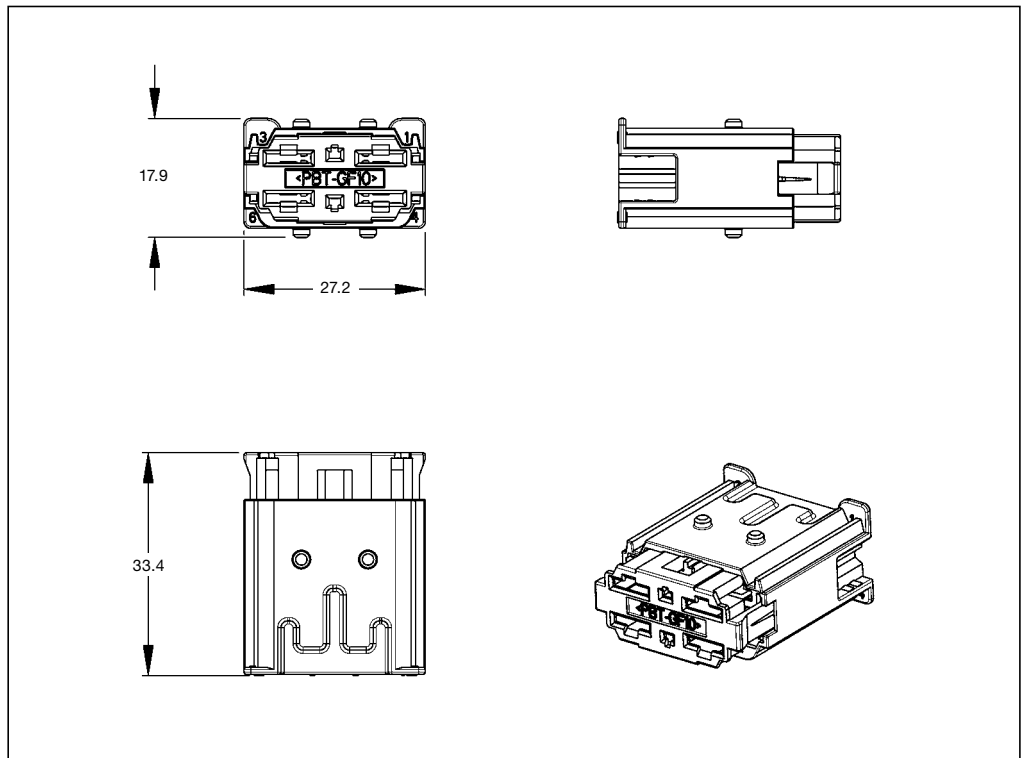
- Locking steering column
- Fuse box and relay holder

Technical Features

- Primary and secondary receptacle/tab latch
- Detection of a partially inserted receptacle/tab
- Cam locking system
- High extraction force between terminal and connector
- Color coded mechanical polarization
- Pre-assembled front grids protect the contact and guide the tab during entry into receptacle

Holder Material:
PBT

Application Specification:
411-15690



4 Position 6.35mm NG1 Receptacle Connector

Part Number	Package Quantity	Material	Color	Mating Contacts
1544147-1	1,785	PBT	Black	6.35mm NG1 Receptacle: 1544133-1

Additional Products Unsealed Power Housings

4 Position 6.35mm NG1 Tab Connector

Application

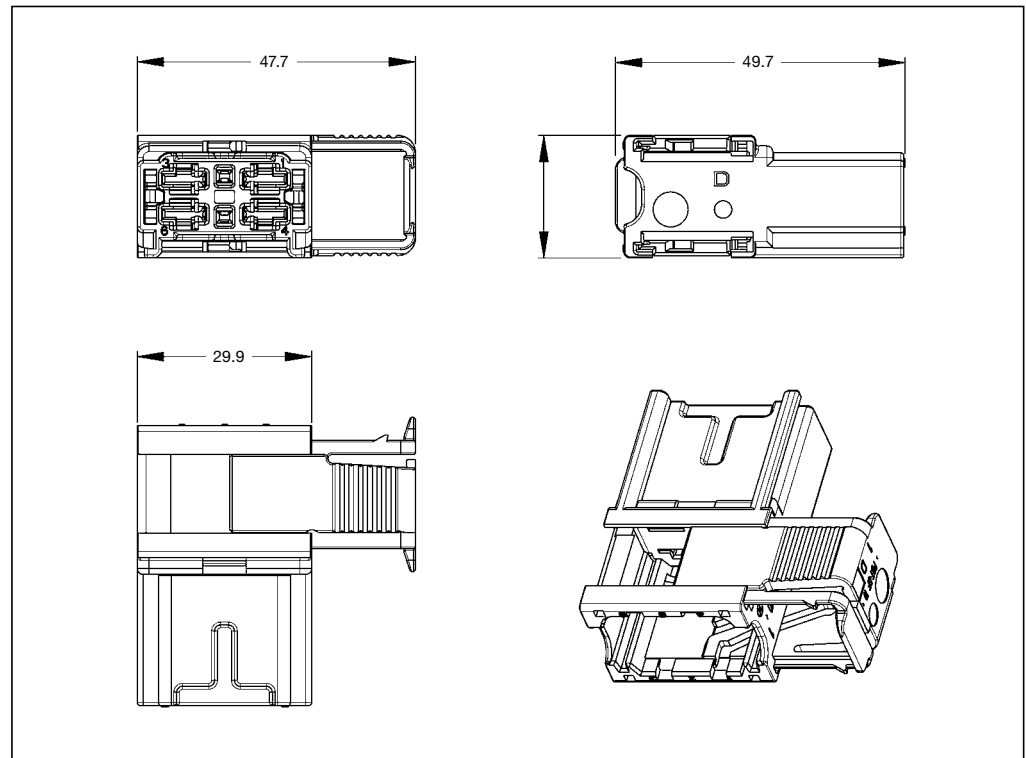
- Locking steering column
- Fuse box and relay holder

Technical Features

- Primary and secondary receptacle/tab latch
- Detection of a partially inserted receptacle/tab
- Cam locking system
- High extraction force between terminal and connector
- Color coded mechanical polarization
- Pre-assembled front grids protect the contact and guide the tab during entry into receptacle

Holder Material:
PBT

Application Specification:
411-15690



4 Position 6.35mm NG1 Tab Connector – Right Slide

Part Number	Package Quantity	Material	Color	Mating Contacts	Applicator
1544148-1	805	PBT	Black	6.35mm NG1 Receptacle: 1544218-1	2150532-x

4 Position 6.35mm NG1 Tab Connector – Left Slide

Part Number	Package Quantity	Material	Color	Mating Contacts	Applicator
1544149-1	805	PBT	Red	6.35mm NG1 Receptacle: 1544218-1	2150532-x

5 Position 6.35mm NG1 Receptacle Connector

Application

- Additional heating resistance

Technical Features

- Primary and secondary receptacle/tab latch
- Detection of a partially inserted receptacle/tab
- Covers available
- Slide locking system
- Pre-assembled front grids protect the contact and guide the tab during entry into receptacle
- Unsealed

Vibration Class:

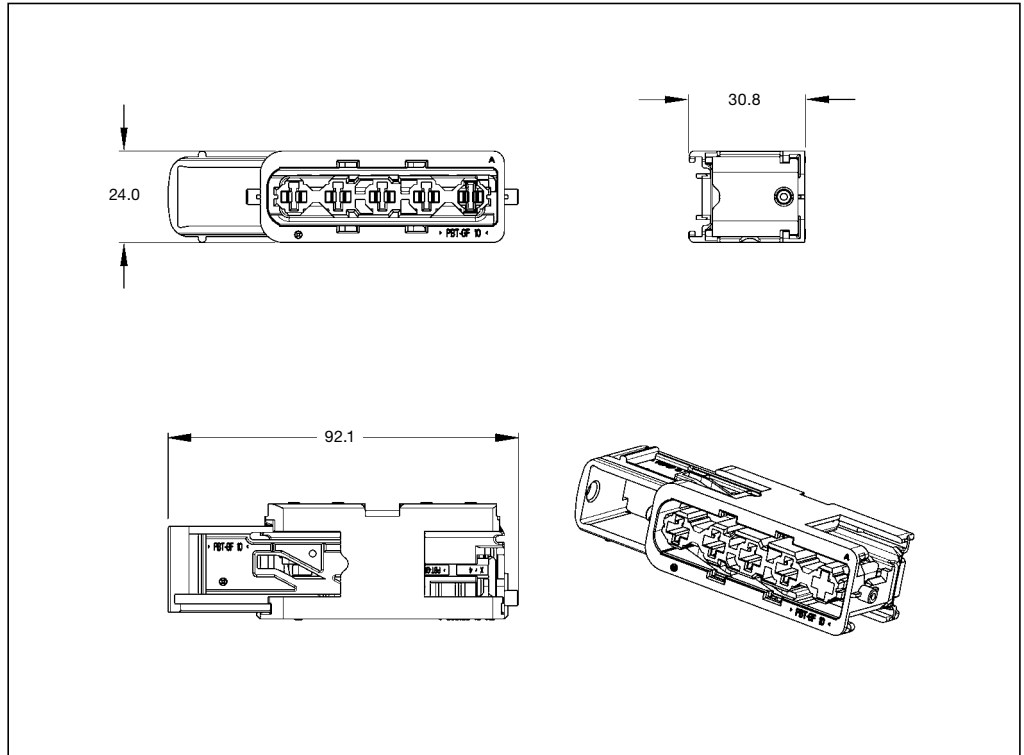
3 g

Application Specification:

411-15658

Extraction Tool:

6-1579018-0



5 Position 6.35mm NG1 Receptacle Connector – Right Slide

Part Number	Package Quantity	Material	Color	Mating Contacts
1544551-1	400	PBT for main housing	Black	6.35mm NG1 Receptacle: 1544133-1

5 Position 6.35mm NG1 Receptacle Connector – Left Slide

Part Number	Package Quantity	Material	Color	Mating Contacts
1544551-2	400	PBT for the main housing	Black	6.35mm NG1 Receptacle: 1544133-1

5 Position 6.35mm NG1 Cover (High or Lower)

Part Number	Package Quantity	Material	Color	Mating Contacts
1544552-1	1,000	PBT	Black	-
1801376-1				

Additional Products

Low Insertion Force 6.35mm Terminals

Flag Terminal Receptacles

Applications

- 1 and 2 position connectors
- Car H1 and H7 lamps

Technical Features

- Low insertion force
- Low profile

Contact Resistance:

<3 mΩ

Raw Material:

German Silver

Current capacity for 40° C rise in T°:

1.0mm² = 11 A

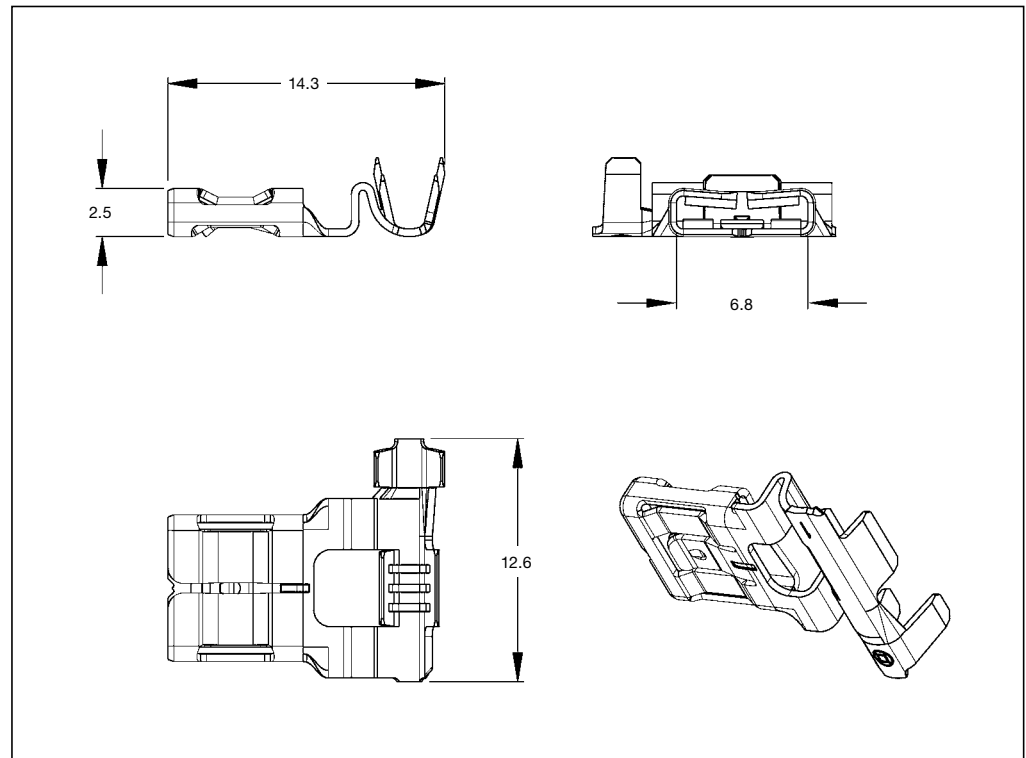
3.0mm² = 14 A

Insertion Force:

<20 N

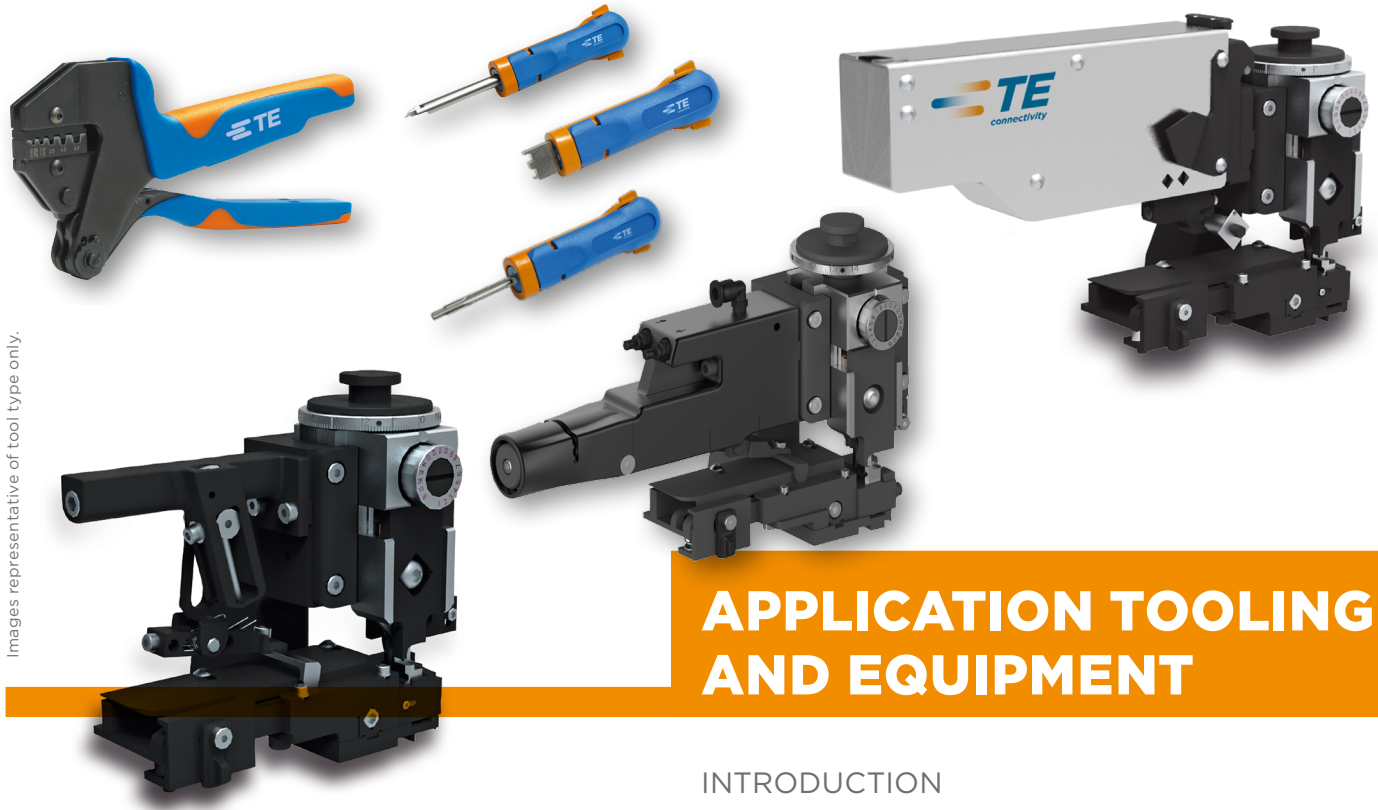
Withdrawal Force:

<27 N



Flag Terminal Receptacles

Wire Size Range mm ² (AWG)	Insulation Diameter		Material and Finish	Part Numbers			Hand Tool with Die Set
	FLK mm (Inch)	FLR mm (Inch)		Strip Form	Package Quantity	Applicator	
0.35-1.00 (22-17)	1.3-2.0 (.052-.079)	-	German Silver	1544113-4	8,000	on request	-
1.4-3.0 (16-12)	2.4-3.5 (.095-.138)			1544114-4	6,000		



Images representative of tool type only.

APPLICATION TOOLING AND EQUIPMENT

INTRODUCTION

TE Application Tooling is dedicated to providing high quality equipment options to meet all levels of our connector products specifications. We are also able to provide a broad range of equipment for other manufacturer's products.

Our equipment range is vast and almost unmatched by others operating in the same industry segments, as is our global presence and support network in the form of field service engineers and product managers.

We supply everything from simple hand tools to the most complex automated systems.

Especially for NG1 terminals and connectors appropriate applicators and hand tools, with suitable die sets, are available to make crimp connections that meet the demands of automotive customers.

Insertion and extraction tools are used for inserting discrete terminals into connector housings or removing them, without causing damage to either the terminals or housings. Different design types exist for our vast terminal product range including HP/HPSL sealed connectors.

Equipment is segregated into two types and managed accordingly:

Generic equipment

Where we can supply you with sufficient information referenced by Part Number such that you can identify and order what you need yourself.

Specialized Equipment

Where you will need help from our specialist product managers to identify what's just right for your Application.

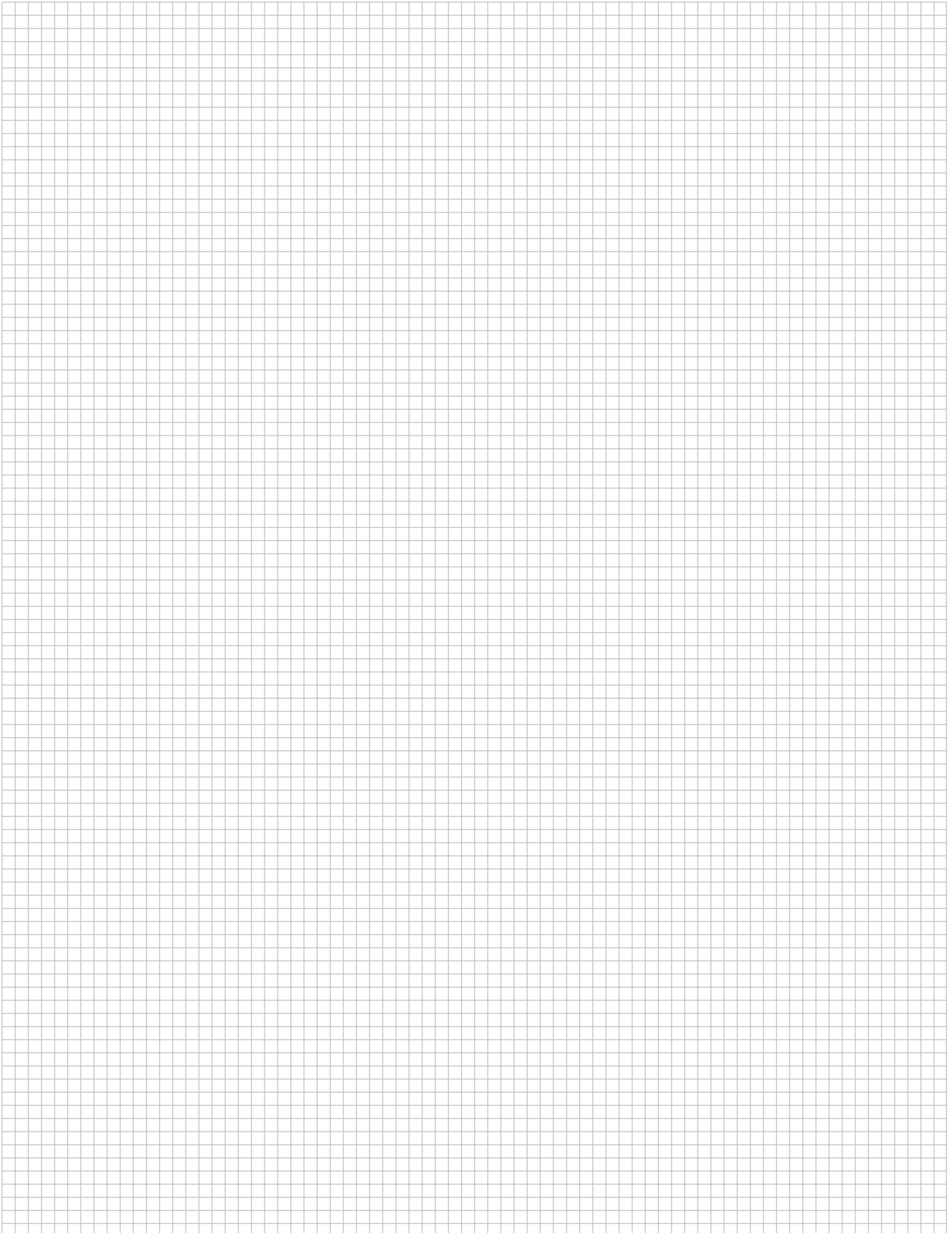
Finding Equipment Online

www.tooling.te.com

- Powerful searches to find generic equipment options (Hand Tools / Applicators)
- Brochures and more detailed flyers for the specialized equipment.
- It's quick, easy and more importantly the latest and most up to date information is available online.

Regional Assistance

www.te.com/support-center



NG Power Terminals and Connectors

Numerical Index

PN	Page	PN	Page	PN	Page
1-1801256-1	13, 29	1544650-3	13, 18	1544980-2	27
1-1801256-2	13, 29	1544653-1	13, 21	1544980-3	13, 27
1-1801256-3	13, 29	1544653-2	13, 21	1544980-4	13, 27
1544106-1	2	1544653-3	13, 21	1544980-5	13
1544107-1	2	1544661-1	13, 21	1674298-1	28
1544113-4	32, 38	1544661-2	13, 21	1674742-1	29
1544114-4	32, 38	1544661-3	13, 21	1801251-1	13, 28
1544133-1	8, 33, 35, 37	1544662-1	13, 18	1801251-2	13, 28
1544147-1	35	1544662-2	13, 18	1801251-3	13, 28
1544148-1	36	1544662-3	13, 18	1801255-1	28
1544149-1	36	1544678-1	13, 19	1801256-1	13, 29
1544218-1	9, 34, 36	1544678-2	13, 19	1801256-2	13, 29
1544225-1	33	1544678-3	13, 19	1801256-3	13, 29
1544225-2	33	1544679-1	13, 22	1801376-1	37
1544225-3	33	1544679-2	13, 22	1801422-1	13, 23
1544226-1	34	1544679-3	13, 22	1801422-2	13, 23
1544226-2	34	1544680-1	13, 15	1801422-3	13, 23
1544226-3	34	1544680-2	13, 15	1801431-1	5
1544227-1	2, 14, 15, 16, 18, 19, 21, 22, 28	1544680-3	13, 15	1801432-1	5
1544228-1	2, 14, 15, 16, 18, 19, 21, 22, 28	1544938-1	30	1801433-1	5
1544316-1	2, 3, 14, 15, 17, 18, 19, 26	1544938-2	30	1801459-1	10
1544316-2	2, 3, 14, 15, 17, 18, 19, 26	1544940-1	10, 30	1801655-1	13, 25
1544316-3	2, 3	1544941-1	10, 30	1801655-2	13, 25
1544317-1	13, 19	1544941-2	10	1801655-3	13
1544317-2	13, 19	1544964-1	5, 15	1801670-1	13, 24
1544317-3	13, 19	1544964-1	18, 19, 20, 21, 22, 23, 24, 25	1801670-2	13
1544332-1	3, 17, 26, 29	1544964-2	5, 18, 19, 20, 21, 22, 23, 24, 25	1801670-3	13, 24
1544333-1	3, 17, 26, 29	1544965-1	5, 15, 18, 19, 20, 21, 22, 23, 24, 25	967608-1	10
1544334-1	13, 26	1544965-2	5, 18, 19, 20, 21, 22, 23, 24, 25		
1544334-2	13, 26	1544966-1	5, 15, 18, 19, 20, 21, 22, 23, 24, 25		
1544334-3	13, 26	1544966-2	5, 18, 19, 20, 21, 22, 23, 24, 25		
1544351-1	32	1544967-1	6, 26, 27		
1544352-1	32	1544967-2	6, 26, 27		
1544551-1	37	1544968-1	6, 26, 27		
1544551-2	37	1544968-2	6, 26, 27		
1544552-1	37	1544969-1	6, 26, 27		
1544555-1	10, 30	1544969-2	6, 26, 27		
1544567-1	13, 22	1544970-1	5, 7, 15, 20, 24, 25, 27		
1544567-2	13, 22	1544970-2	5, 7, 15, 20, 24, 25, 27		
1544567-3	13, 22	1544970-3	5, 7, 15, 20, 24, 25, 27		
1544601-1	13	1544970-4	5, 7, 20, 24, 25, 27		
1544601-2	13	1544978-1	13, 20		
1544601-3	13	1544978-2	13, 20		
1544603-1	13, 14, 16	1544978-3	13, 20		
1544603-2	13, 14, 16	1544978-4	20		
1544603-3	13, 14, 16	1544978-5	13		
1544606-1	13, 17	1544980-1	13, 27		
1544606-2	13, 17				
1544606-3	13, 17				
1544615-1	8				
1544650-1	13, 18				
1544650-2	13, 18				

TE CONNECTIVITY ONLINE

TE.com offers an enhanced digital experience, with more than 250,000 parts profiled. The site has deep, rich product data and easier access to tools and services. Other offerings include improved search and navigation and knowledge and idea sharing.



LITERATURE

TE.com offers a variety of product-specific catalogs, brochures, white papers and other technical information. To download our literature visit

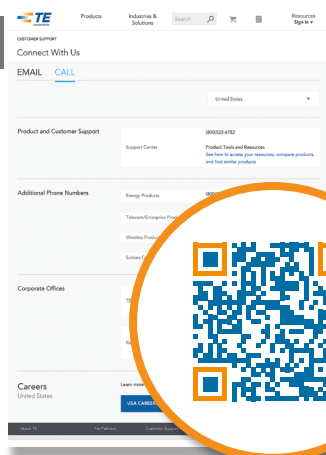
www.te.com/usa-en/industries/automotive/automotiveliterature.html



PRODUCT INFORMATION

Search for a specific product by category, part number or document number.

www.TE.com



STAY CONNECTED

You can rely on TE's PIC Team to answer your general or technical questions. To contact a PIC representative, visit

www.TE.com/support-center

EUROPE

Germany - Bensheim

Product Information Center:
Phone: +49 6251-133-1999
Fax: +49 6251-133-1988

UNITED STATES

United States - Harrisburgh

Product Information Center:
Phone: +1 800-522-6752
Fax: +1 717-986-7575

SOUTH AMERICA

South America

Phone: +54 11-4733-2015
Fax: +54 11-4733-2083

AFRICA

South Africa -
Port Elizabeth

Phone: +27 41-503-4500
Fax: +27 41-581-0440

ASIA/PACIFIC

Australia - Sydney

Product Information Center:
Phone: +61 2-9840-8200
Fax: +61 2-9634-6188

People's Republic of China

Hong Kong
Phone: +852 2738-8731
Fax: +852 2735-0243

People's Republic of China

Shanghai
Phone: +86 21-3398-0000
Fax: +86 21-3398-1999

Korea - Seoul

Phone: +82 2-3415-4500
Fax: +82 2-3486-3810

DISCLAIMER

While TE Connectivity (TE) has made every reasonable effort to ensure the accuracy of the information in this catalog, TE does not guarantee that it is error-free, nor does TE make any other representation, warranty or guarantee that the information is accurate, correct, reliable or current. TE reserves the right to make any adjustments to the information contained herein at any time without notice.

TE expressly disclaims all implied warranties regarding the information contained herein, including, but not limited to, any implied warranties of merchantability or fitness for a particular purpose. The dimensions in this catalog are for reference purposes only and are subject to change without notice. Specifications are subject to change without notice. Consult TE for the latest dimensions and design specifications.

TRADEMARKS

TE, TE Connectivity, TE connectivity (logo), and EVERY CONNECTION COUNTS are trademarks.

Other product names, logos, and company names mentioned herein may be trademarks of their respective owners.

COPYRIGHT

© 2015 TE Connectivity family of companies.

All rights reserved.

TE Connectivity Germany GmbH certified acc. ISO 14001 and ISO/TS 16949:2002

TE Connectivity Germany GmbH

AMPèrestrasse 12-14 | 64625 Bensheim | Germany

Phone: +49 (0)6251 133-0

Fax: +49 (0)6251 133-1600



1654363-1 | Published 10-2015